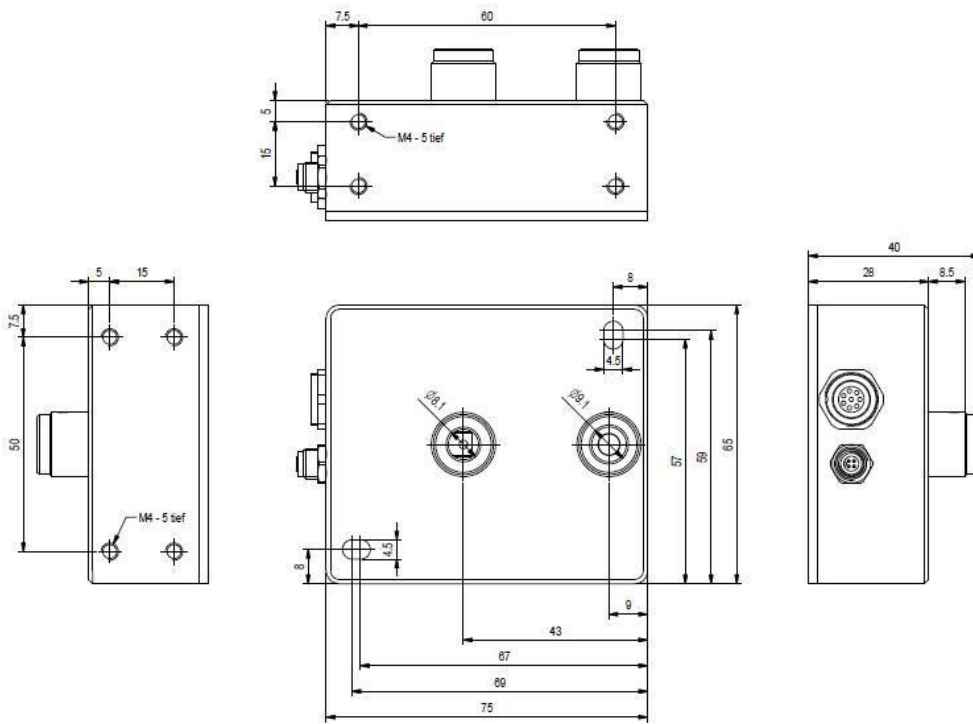


### 1. Color sensor SPECTRO-3-FIO-JR-XL

The color sensor type **SPECTRO-3-FIO-JR-XL** comes with an optical interface which allows connecting optical fibers type **M5.0** (transmitter) as well as **M6.0** (receiver). Thus, a long distance (up to 15 meters) between the amplifier and the measurement position can be realized. Furthermore optical frontends like **KL-M18-XL-M5**, **KL-M18-XL-M6** and **KL-M18-XL-M8**, **KL-M18-M5**, **KL-M18-M6** and **KL-M18-XL-M8** as well as **KL-M34-M5**, **KL-M34-M6** and **KL-M34-M8** are available. Suitable fiber optic cables are **D-S-M5-(5.0)-10000-67°**, **D-S-M6-(6.0)-10000-67°** and **R-S-M8-(8.0)-10000-Y-M5/M6-67°**.



**Sensor head type M** (end sleeve: special steel or alum.)

Type	A	D	E	F	H	ØJ		end sleeve
	Ø		Ø	Ø		M	S	
M1.1	6	30	1	0,6	10	5	4,4	special steel
M1.2	6	10	1	0,6	10	5	4,4	special steel
M2.0	6	10	2	1,0	10	5	4,4	aluminium
M3.0	7	12	4	2,5	12	6	5,8	aluminium
M4.0	9	12	6	3,5	12	7	7,5	aluminium
M5.0	12	16	7	5,0	16	9	9,0	aluminium
M6.0	13	16	8	6,0	18	10	11,5	aluminium
M8.0	16	20	10	8,0	20	13	13,5	aluminium
M10.0	18	20	12	10,0	20	15	-	aluminium

