

FIO Series

▶ KL-2-A2.0

Optical frontend

- Optical frontend for reflected light fiber optics R-S-A2.0-(2.5)-... or through-beam fiber optics D-S-A2.0-(2.5)-... (fiber optics are available in various versions)
- Beam divergency: $\pm 7,5^\circ$
- Transmitter/receiver distance max. 300 mm
- Focusing onto a small light spot
- Extension of range
- Better illumination
- Scratch resistant glass optics
- Sturdy aluminum housing, anodized in black



Design

Product name:

KL-2-A2.0

Suitable for fiber optics (please order separately):

Reflected light fiber optics (for reflected fiber optics 1 pc. KL-2-A2.0 is necessary)

R-S-A2.0-(2.5)-(length)-67°

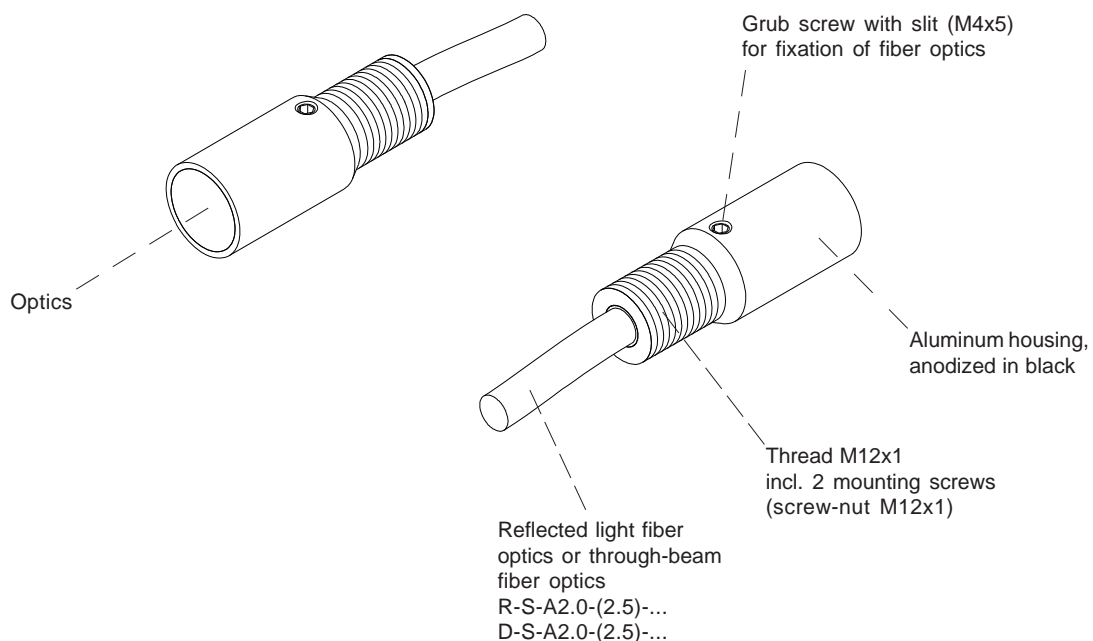
R-S-A2.0-(2.5)-(length)-22°

Through-beam fiber optics (for through-beam fiber optics 2 pcs. KL-2-A2.0 are necessary)

D-S-A2.0-(2.5)-(length)-67°

D-S-A2.0-(2.5)-(length)-22°

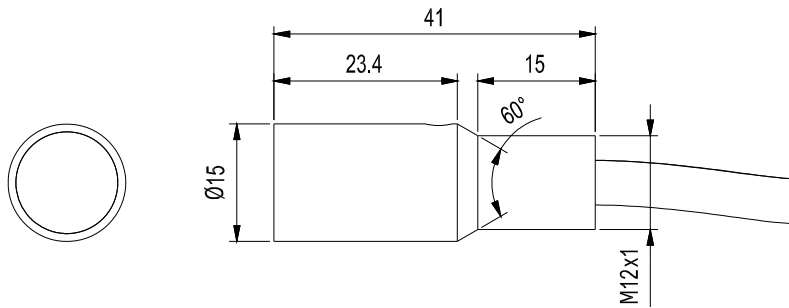
(standard lengths for fiber optics: 600 mm or 1200 mm)





Dimensions

KL-2-A2.0



All dimensions in mm



Fiber Optics

R-S-A2.0-(2.5)-...
D-S-A2.0-(2.5)-...

