

FIO Series

▶ KL-9-A3.0

Optical frontend

- Optical frontend for reflected light fiber optics R-S-A3.0-(3.0)-... (fiber optics is available in various versions)
- Working distance typ. 8 mm ... 25 mm
- Focusing onto a small light spot (spot diameter at a distance of 10 mm: typ. 0.5 mm)
- Color measurement of small objects at a relatively big distance
- Sturdy aluminum housing, anodized in black



Design

Product name:

KL-9-A3.0

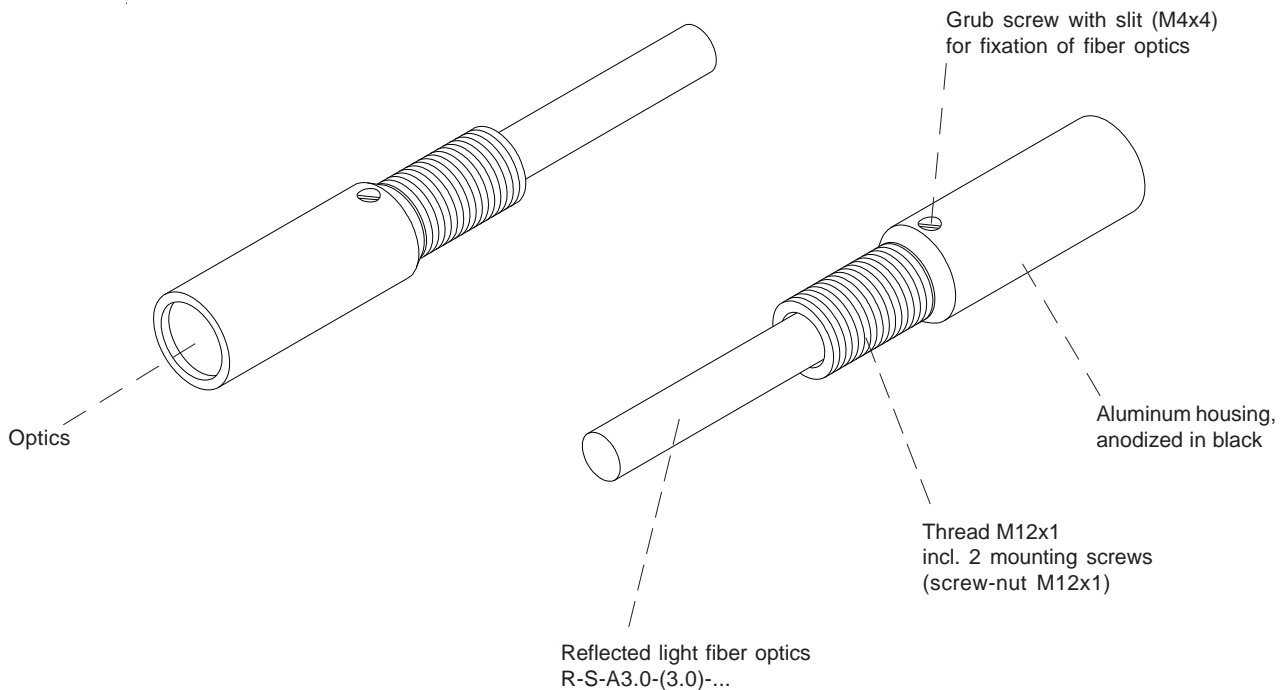
Suitable for fiber optics (please order separately):

Reflected light fiber optics

R-S-A3.0-(3.0)-(length)-67°

R-S-A3.0-(3.0)-(length)-22°

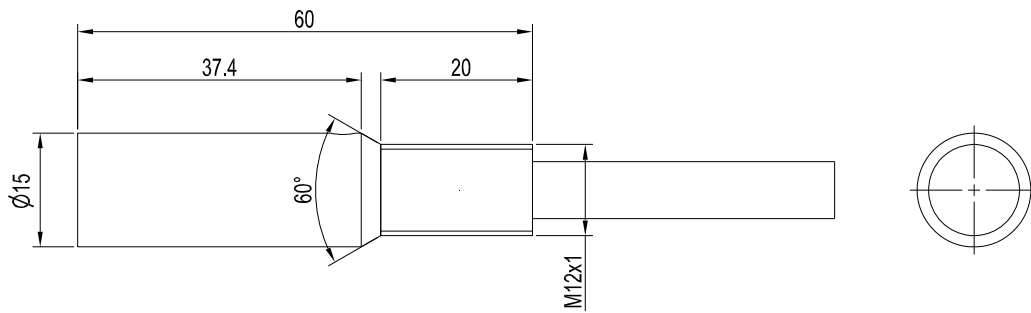
(standard lengths for fiber optics: 600 mm or 1200 mm)





Dimensions

KL-9-A3.0

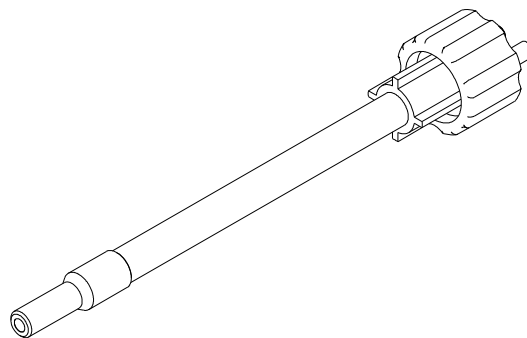


All dimensions in mm



Fiber Optics

R-S-A3.0-(3.0)-...
Reflected light fiber optics



Accessories

KL-8-OFL
Top-part for eliminating extraneous light

For use with:
optical frontend KL-8-R2.1 in connection with a reflected light fiber optics R-S-R2.1-(6x1)-... or
optical frontend KL-9-A3.0 in connection with a reflected light fiber optics R-S-A3.0-(3.0)-...



KL-8-OFL
mounted on optical frontend
KL-8 or KL-9