

FIO Series

▶ **KL-M34-XL-A3.0** Optical frontend

- Optical frontend for reflected light fiber optics R-S-A3.0-...-67° (fiber optics are available in various lengths)
- Working distance typ. 50 mm ... 400 mm
- Also suitable for detection of highly absorbent objects (e.g. black painted parts)
- Minimal color change at a change in the distance
- Focusable
- Scratch resistant glass optics
- Sturdy aluminum housing, anodized in black



Design

Product name:

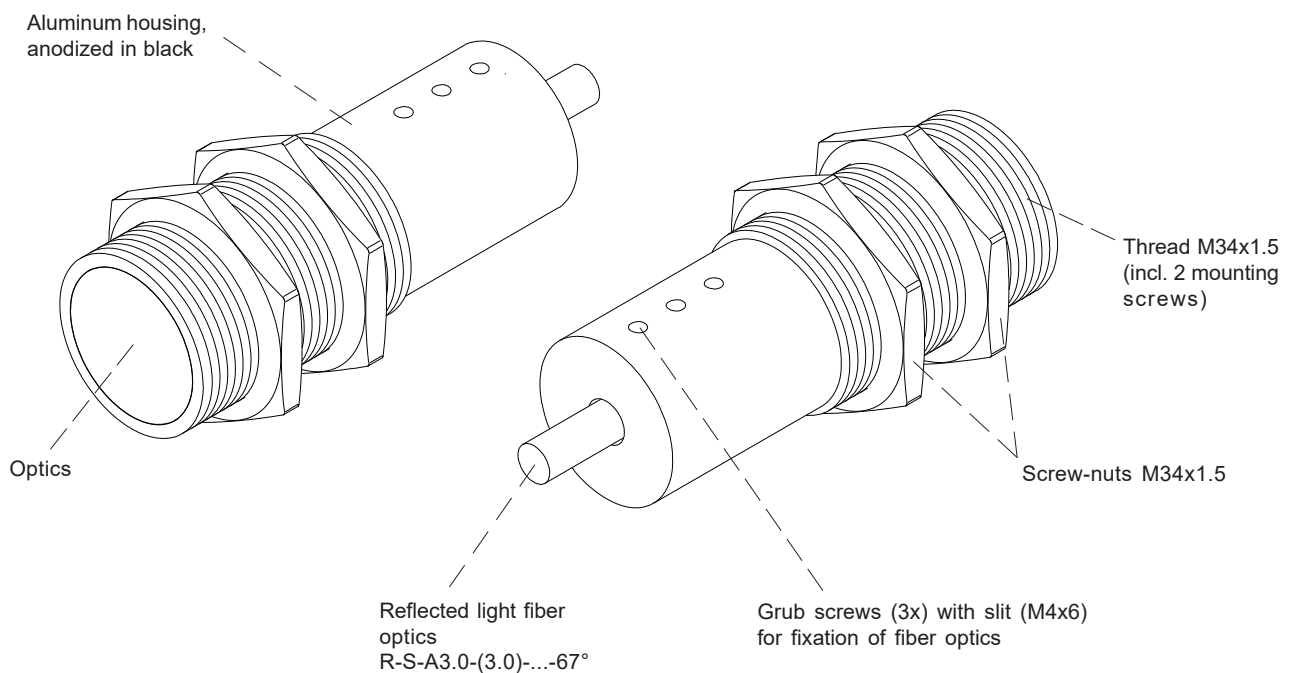
KL-M34-XL-A3.0

Suitable for fiber optics (please order separately):

Reflected light fiber optics

R-S-A3.0-(3.0)-(length)-67°

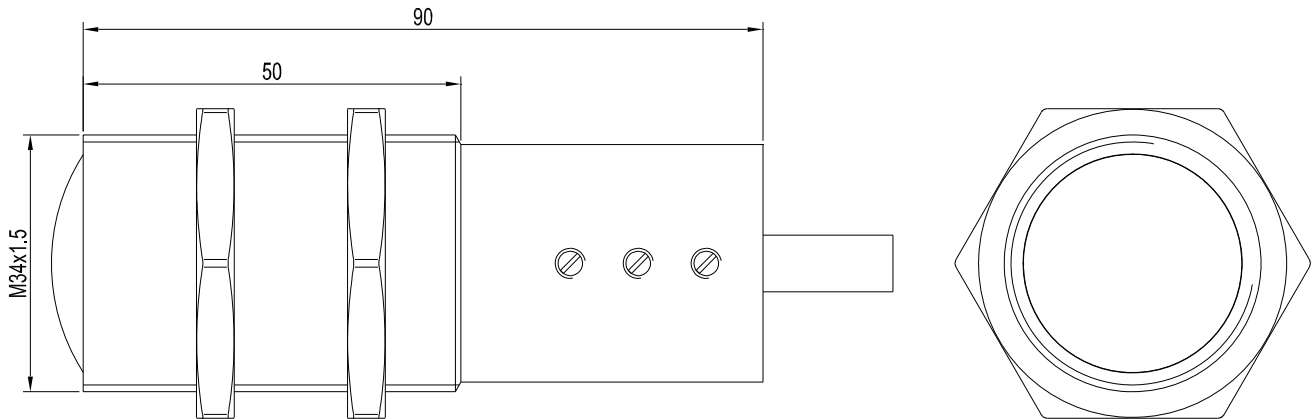
(standard lengths for fiber optics: 600 mm or 1200 mm)





Dimensions

KL-M34-XL-A3.0

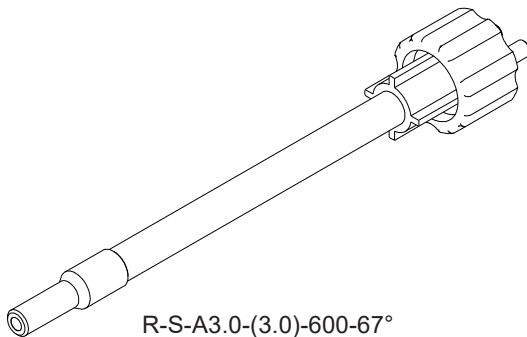


All dimensions in mm



Fiber Optics

R-S-A3.0-(3.0)-...
Reflected light fiber optics

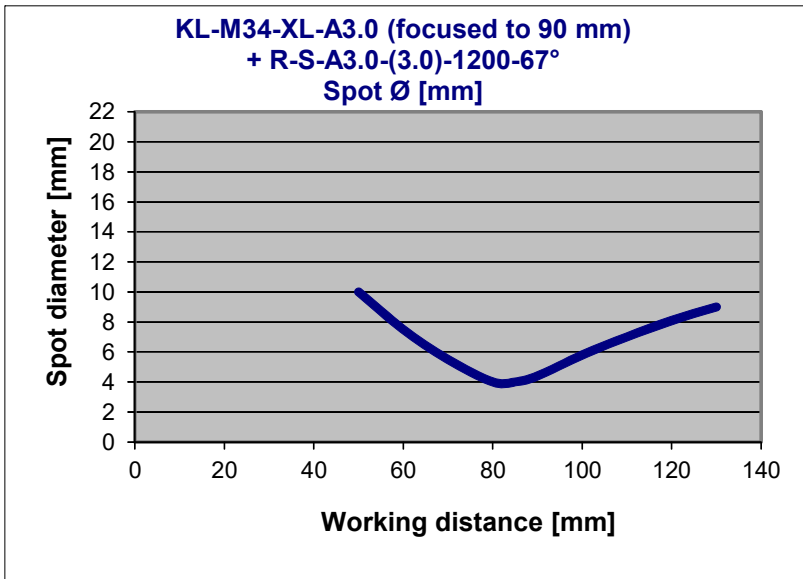


R-S-A3.0-(3.0)-600-67°
R-S-A3.0-(3.0)-1200-67°



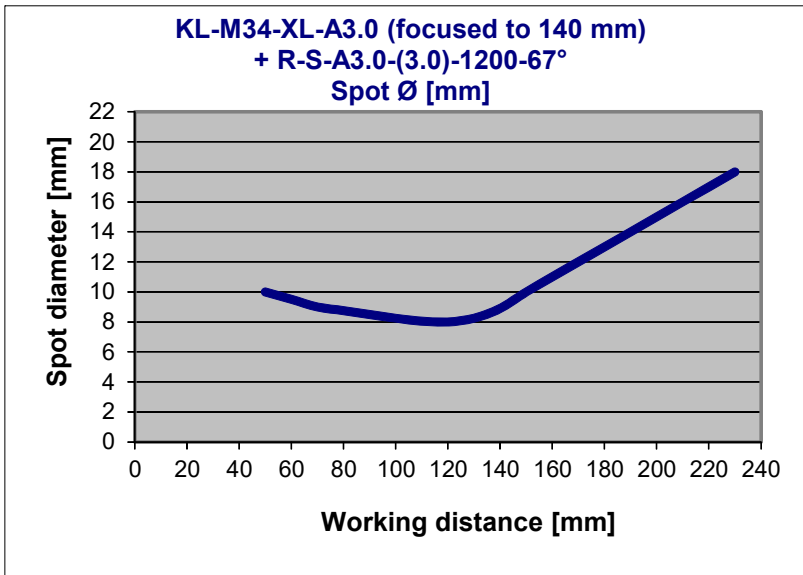


Diagrams



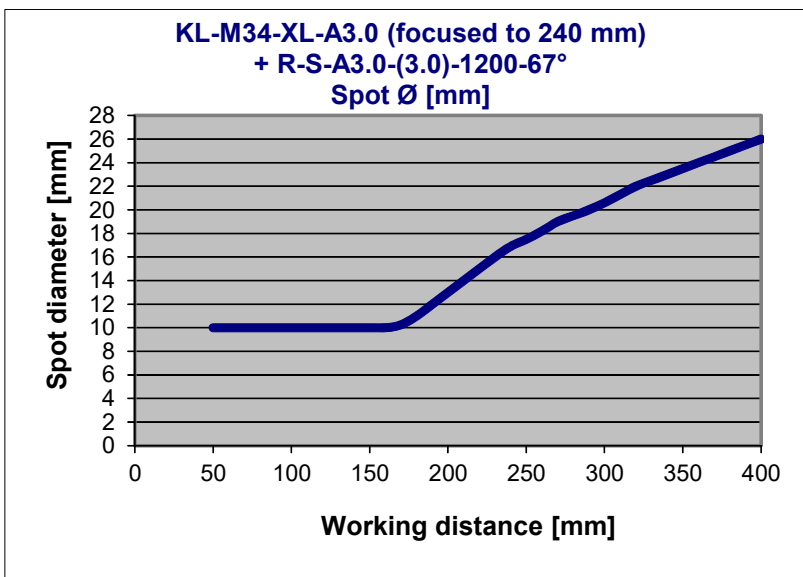
**KL-M34-XL-A3.0 with R-S-A3.0-(3.0)-1200-67°:
(focused to a distance of 90 mm):**

Spot diameter:
 10 mm (typ.) at a working distance of 50 mm
 4 mm (typ.) at a working distance of 80 mm
 9 mm (typ.) at a working distance of 130 mm



**KL-M34-XL-A3.0 with R-S-A3.0-(3.0)-1200-67°:
(focused to a distance of 140 mm):**

Spot diameter:
 10 mm (typ.) at a working distance of 50 mm
 8 mm (typ.) at a working distance of 130 mm
 18 mm (typ.) at a working distance of 230 mm



**KL-M34-XL-A3.0 with R-S-A3.0-(3.0)-1200-67°:
(focused to a distance of 240 mm):**

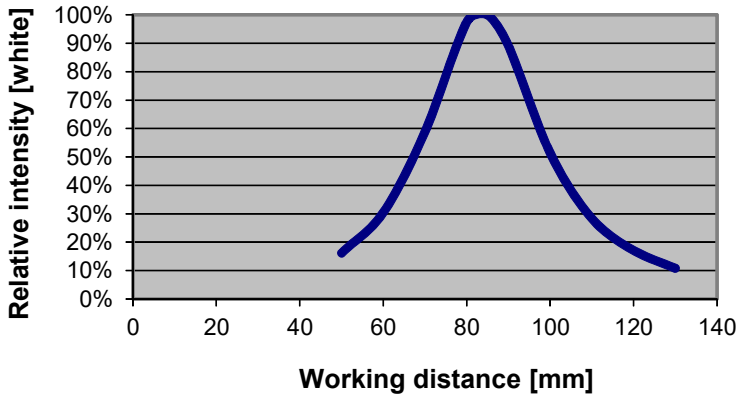
Spot diameter:
 10 mm (typ.) at a working distance of 50 mm
 18 mm (typ.) at a working distance of 260 mm
 26 mm (typ.) at a working distance of 400 mm





Diagrams

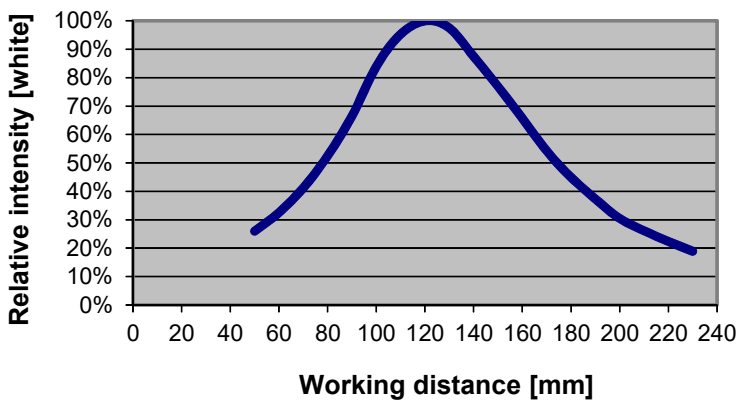
**KL-M34-XL-A3.0 (focused to 90 mm)
+ R-S-A3.0-(3.0)-1200-67°
INT [relative]**



**KL-M34-XL-A3.0 with R-S-A3.0-(3.0)-1200-67°:
(focused to a distance of 90 mm):**

Relative intensity:
100% at a working distance of 85 mm
(INTENSITY 3775)

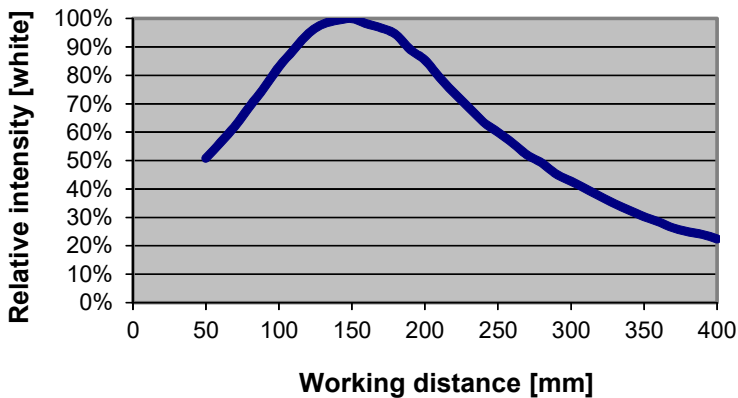
**KL-M34-XL-A3.0 (focused to 140 mm)
+ R-S-A3.0-(3.0)-1200-67°
INT [relative]**



**KL-M34-XL-A3.0 with R-S-A3.0-(3.0)-1200-67°:
(focused to a distance of 140 mm):**

Relative intensity:
100% at a working distance of 120 mm
(INTENSITY 3658)

**KL-M34-XL-A3.0 (focused to 240 mm)
+ R-S-A3.0-(3.0)-1200-67°
INT [relative]**



**KL-M34-XL-A3.0 with R-S-A3.0-(3.0)-1200-67°:
(focused to a distance of 240 mm):**

Relative intensity:
100% at a working distance of 150 mm
(INTENSITY 3855)

