

FIO Series

▶ KL-52-XL-A3.0

Optical frontend

- Optical frontend for reflected light fiber optics
R-S-A3.0-(3.0)-...-67° (fiber optics available in various lengths)
- Working distance typ. 50 mm ... 800 mm
- Suitable also for detection of highly absorbing objects
(e.g. black varnished parts)
- Minimal color change when changing the distance
- Can be focused
- Scratch resistant glass optics
- Sturdy aluminum housing, anodized in black



Design

Product name:

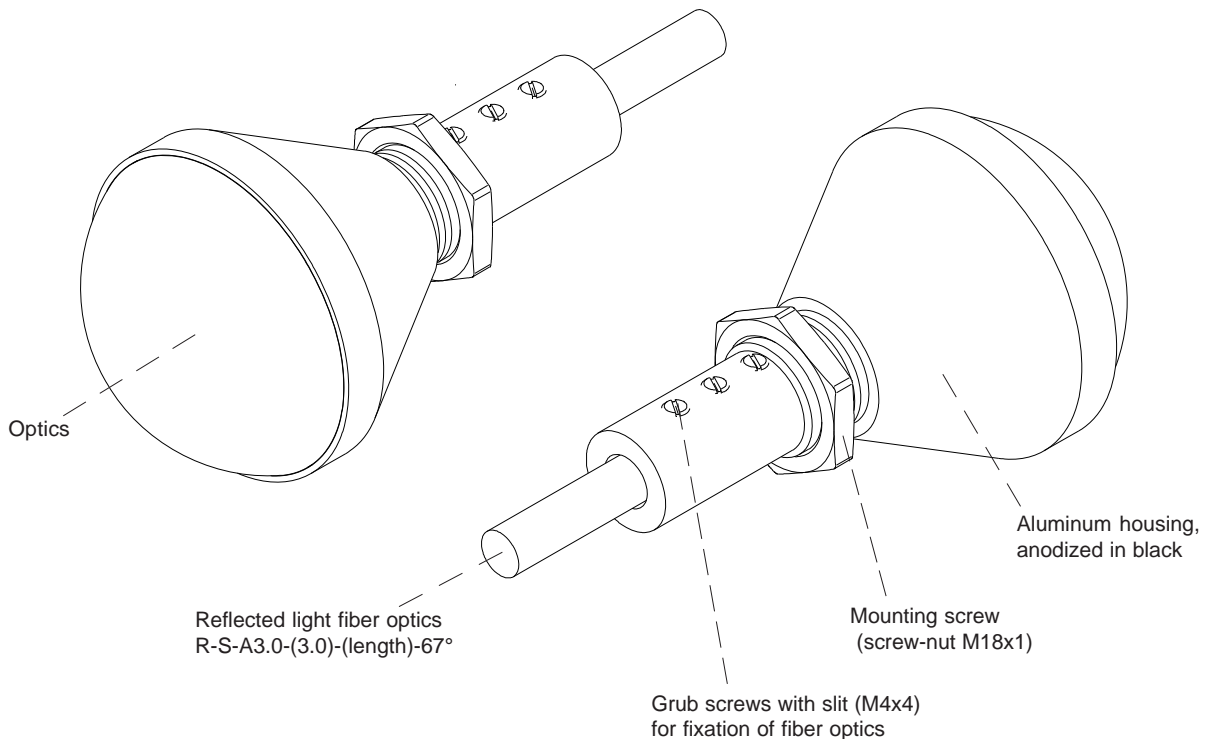
KL-52-XL-A3.0

Suitable for fiber optics (please order separately):

Reflected light fiber optics

R-S-A3.0-(3.0)-(length)-67°

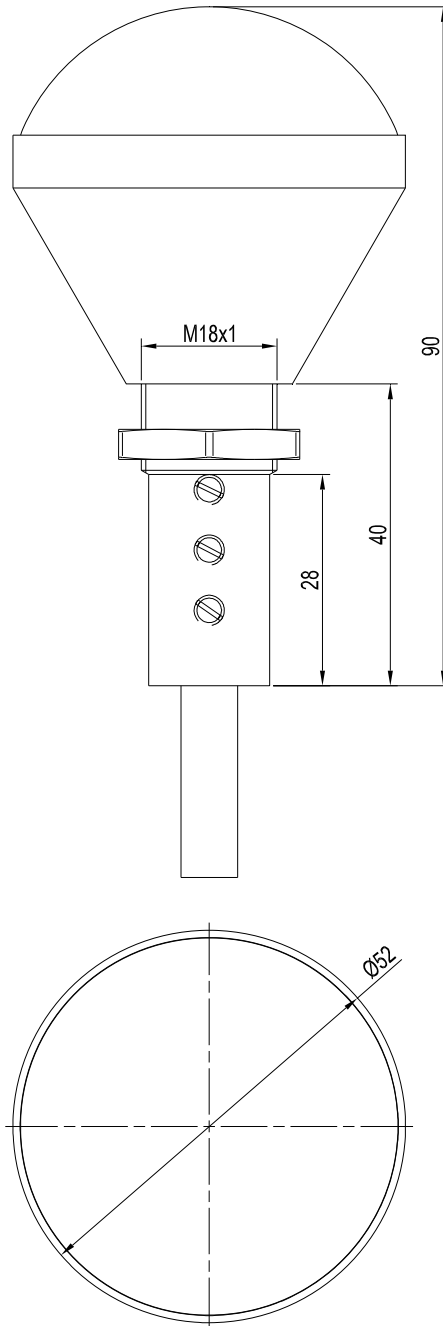
(standard lengths for fiber optics: 600 mm or 1200 mm)





Dimensions

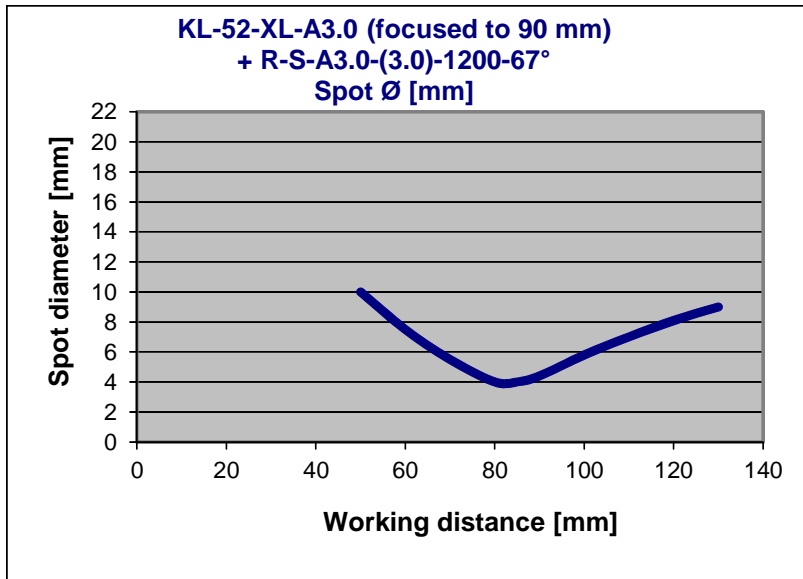
KL-52-XL-A3.0



All dimensions in mm

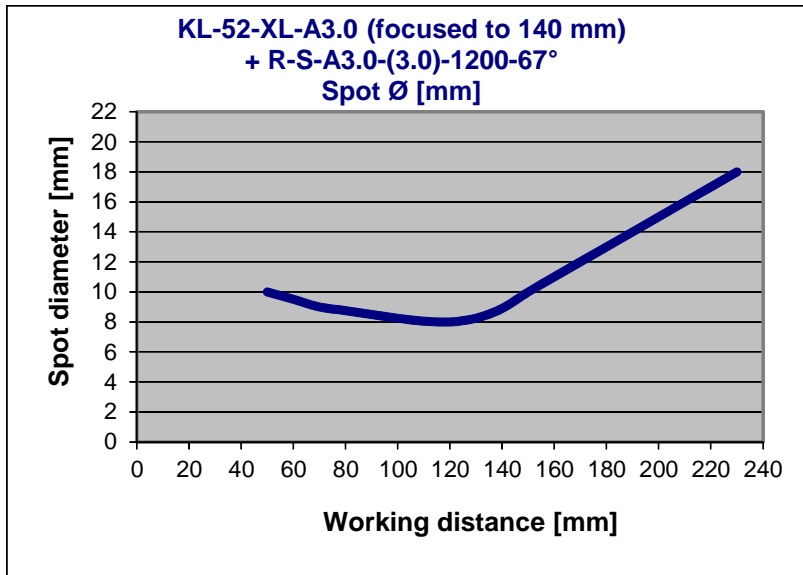


Spot Diameter



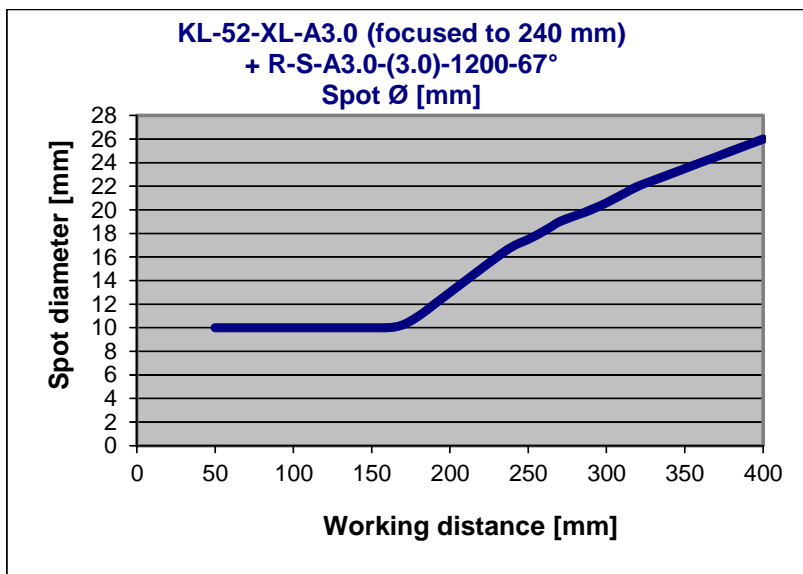
**KL-52-XL-A3.0 with R-S-A3.0-(3.0)-1200-67°:
(focused to a distance of 90 mm):**

Spot diameter:
10 mm (typ.) at working distance 50 mm
4 mm (typ.) at working distance 80 mm
9 mm (typ.) at working distance 130 mm



**KL-52-XL-A3.0 with R-S-A3.0-(3.0)-1200-67°:
(focused to a distance of 140 mm):**

Spot diameter:
10 mm (typ.) at working distance 50 mm
8 mm (typ.) at working distance 130 mm
18 mm (typ.) at working distance 230 mm



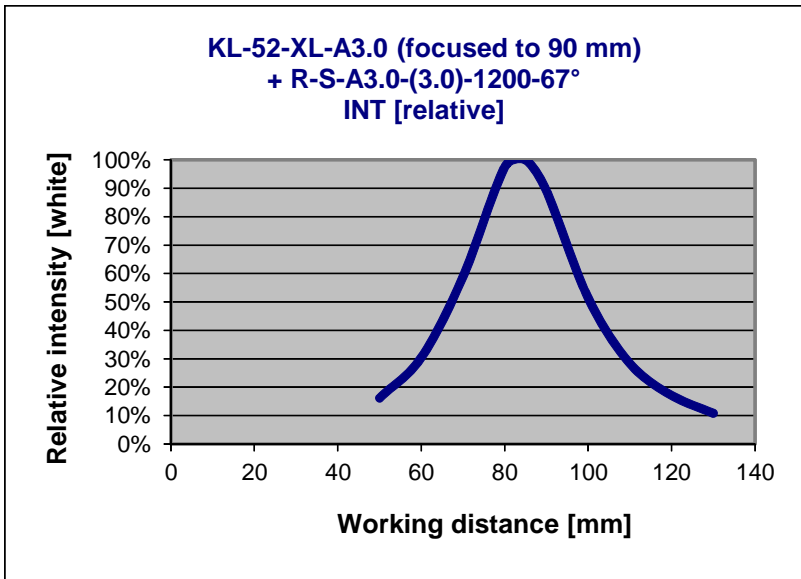
**KL-52-XL-A3.0 with R-S-A3.0-(3.0)-1200-67°:
(focused to a distance of 240 mm):**

Spot diameter:
10 mm (typ.) at working distance 50 mm
18 mm (typ.) at working distance 260 mm
26 mm (typ.) at working distance 400 mm



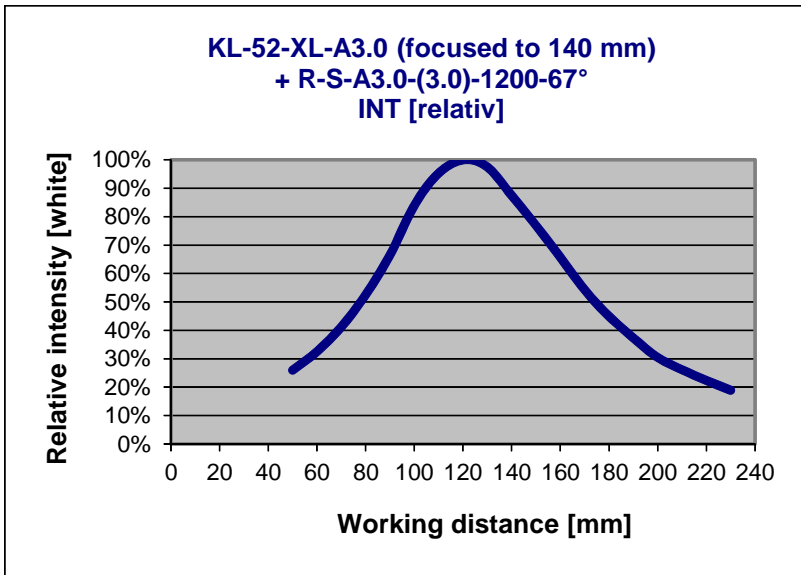


Relative Intensity



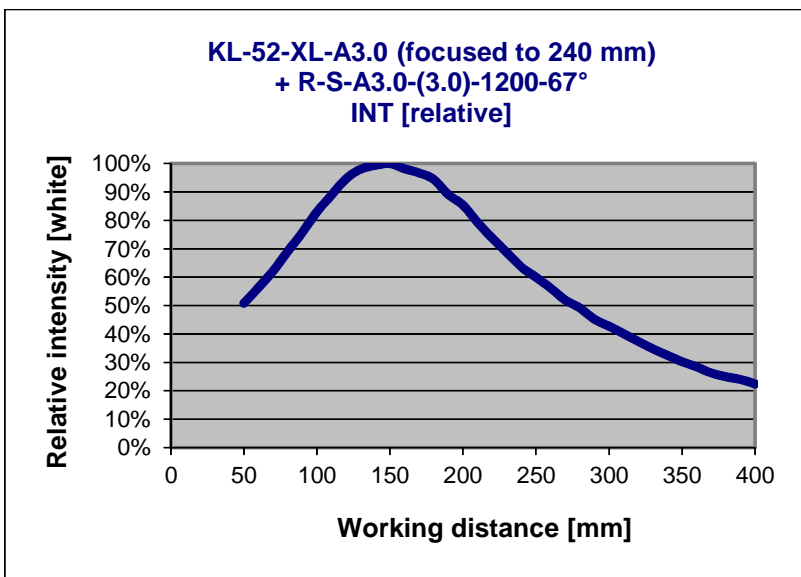
**KL-52-XL-A3.0 with R-S-A3.0-(3.0)-1200-67°:
(focused to a distance of 90 mm):**

Relative intensity:
100% at working distance 85 mm
(INTENSITY 3775)



**KL-52-XL-A3.0 with R-S-A3.0-(3.0)-1200-67°:
(focused to a distance of 140 mm):**

Relative intensity:
100% at working distance 120 mm
(INTENSITY 3658)



**KL-52-XL-A3.0 with R-S-A3.0-(3.0)-1200-67°:
(focused to a distance of 240 mm):**

Relative intensity:
100% at working distance 150 mm
(INTENSITY 3855)

