

# Accessories

## ▶ A3.0-OFL-10

Offline unit (spacer) for reflected light fiber optics with sensor head type A3.0

Frontend for the targeted, insensitive to ambient light installation of the optical fiber R-S-A3.0-(3.0)-... onto an object.

- Plane installation on the object
- Offset 10 mm inwards from fiber optics to measuring object
- Easy mounting onto fiber optics by means of threaded pin
- Aluminum housing, anodized



Design

### Product name:

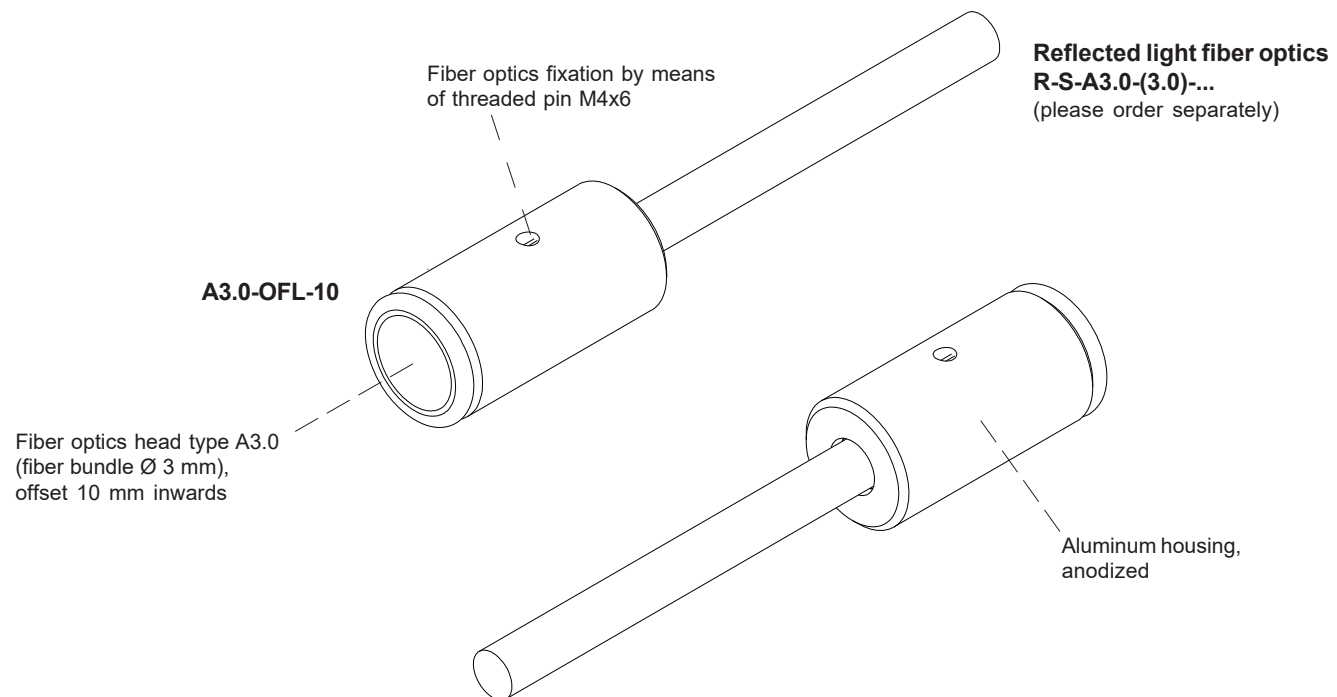
**A3.0-OFL-10** (offline unit for fiber optics type A3.0)

For use with reflected light fiber optics

R-S-A3.0-(3.0)-...-67° or

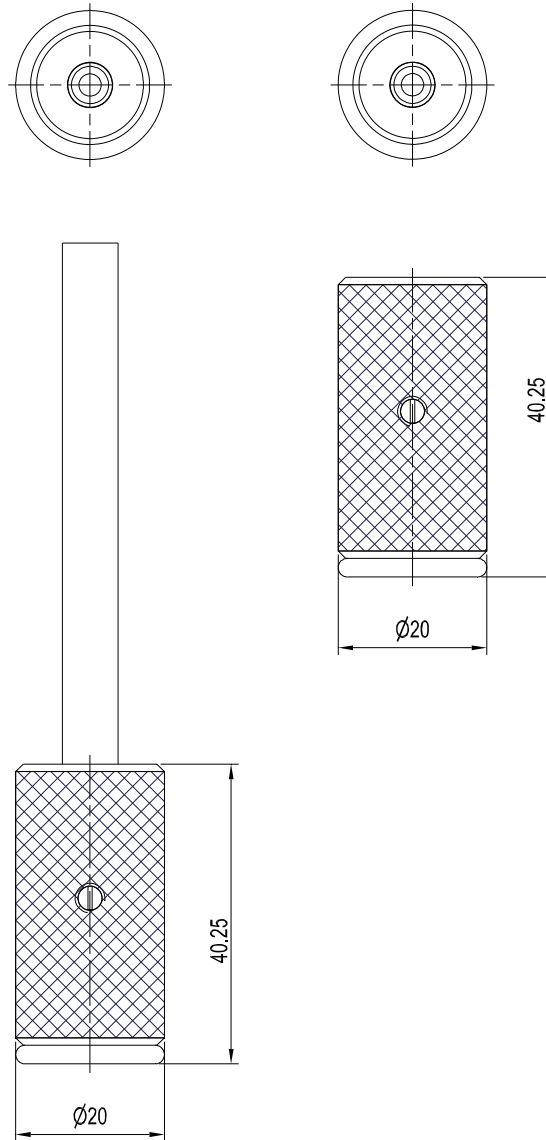
R-S-A3.0-(3.0)-...-22° or

R-S-A3.0-(3.0)-...-22°-UV





Dimensions



(All dimensions in mm)

