

Accessories

▶ A3.0-OFL-D17-SHIFT

Offline unit (spacer) for reflected light fiber optics with sensor head type A3.0 with possibility to shift

Frontend for the targeted, insensitive to ambient light installation of the optical fiber R-S-A3.0-(3.0)-... onto an object.

- Plane installation on the object
- Opening \varnothing 17 mm
- Possibility of shifting the fiber optics head inside the offline unit
- Easy mounting onto fiber optics by means of threaded pin
- Aluminum housing, anodized

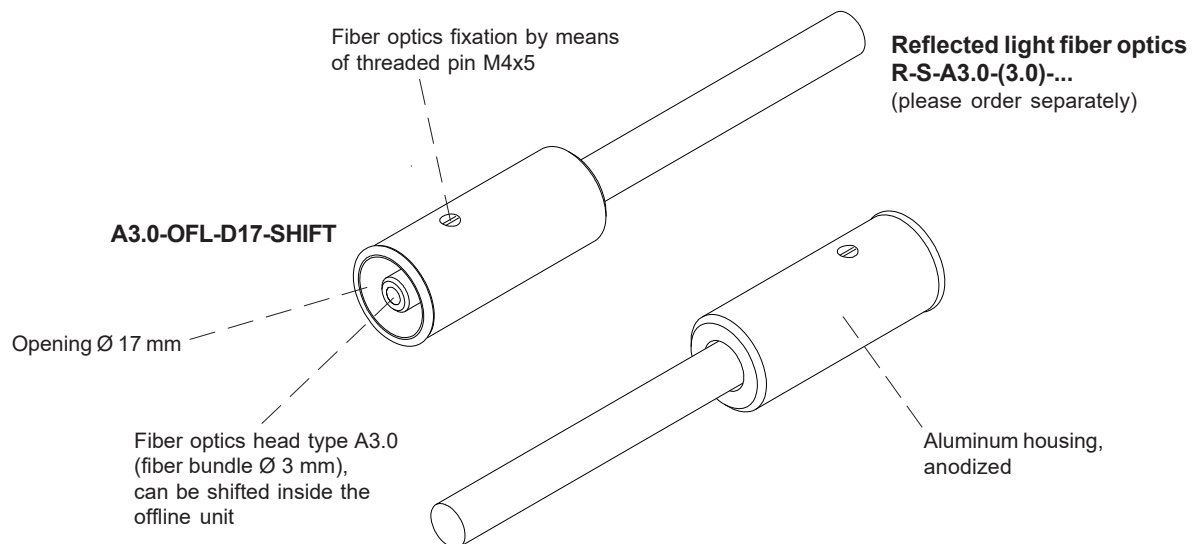


Design

Product name:

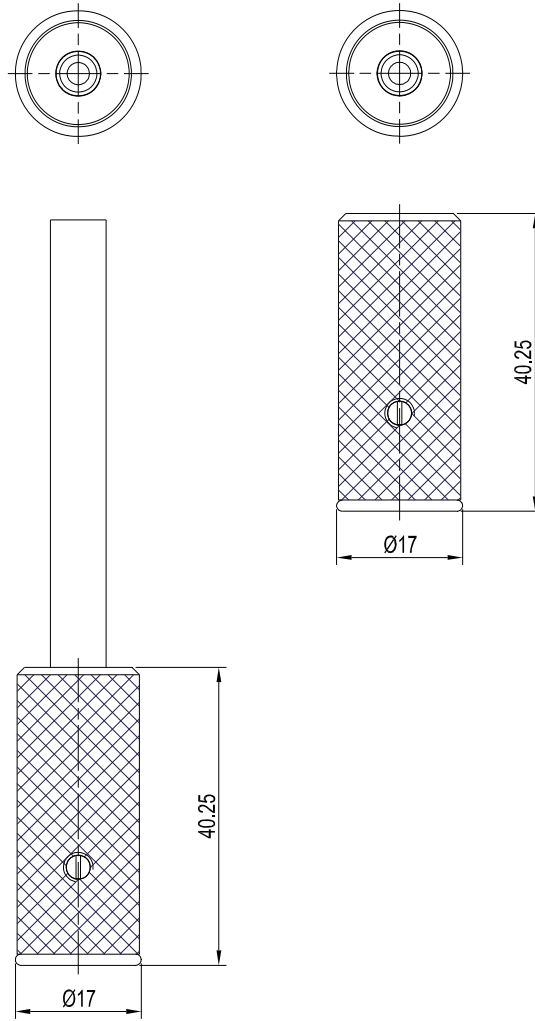
A3.0-OFL-D17-SHIFT (offline unit for fiber optics type A3.0)

For use with reflected light fiber optics
R-S-A3.0-(3.0)-...-67° or
R-S-A3.0-(3.0)-...-22° or
R-S-A3.0-(3.0)-...-22°-UV





Dimensions



(All dimensions in mm)

