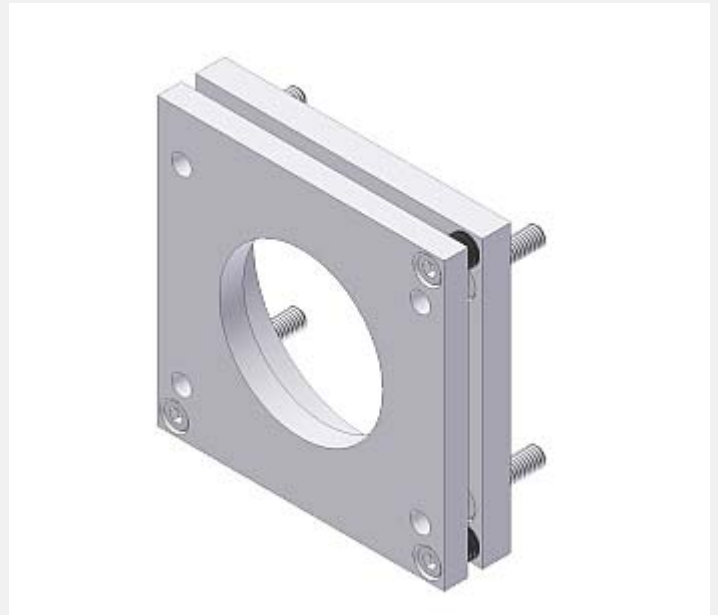


Accessories

▶ FL-34

Mounting flange for color sensors
of the SPECTRO-3 Series

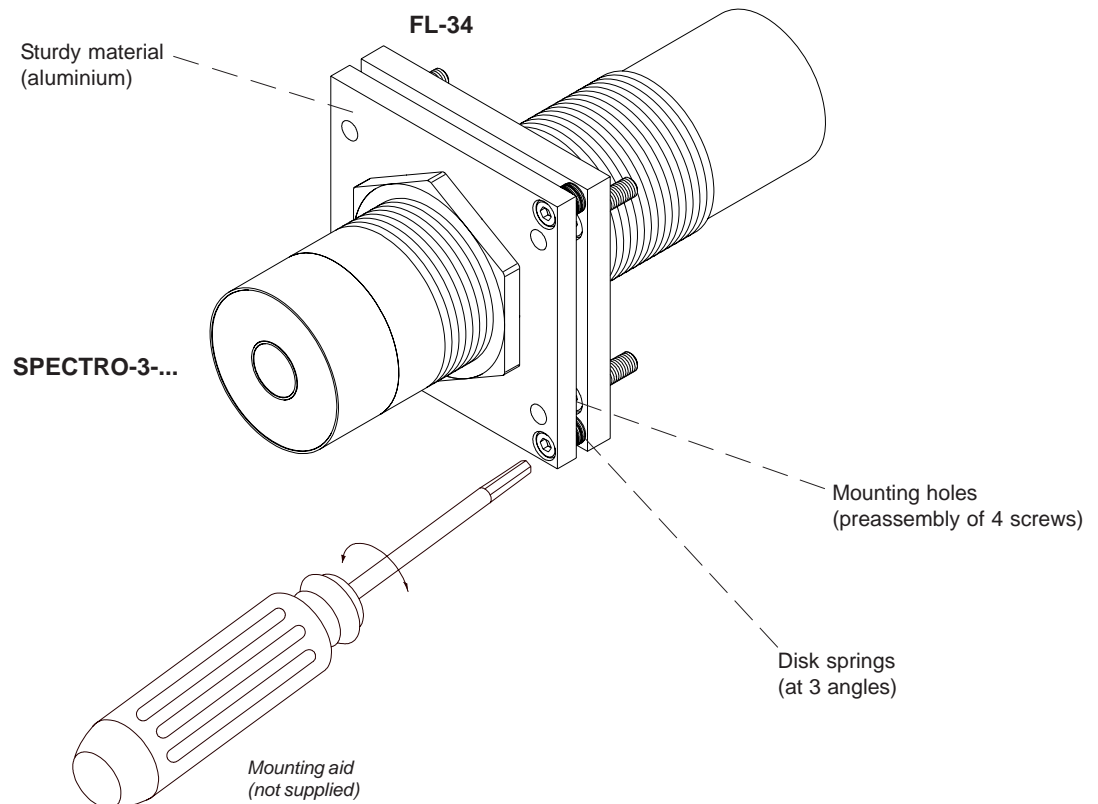
- Exact alignment by means of disk springs
- Sturdy material (aluminium)



Design

Product name:

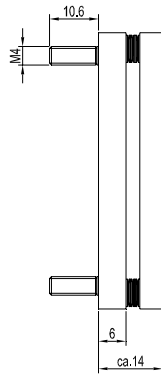
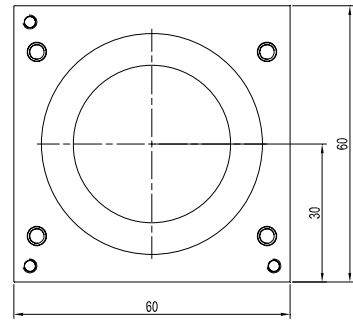
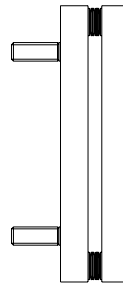
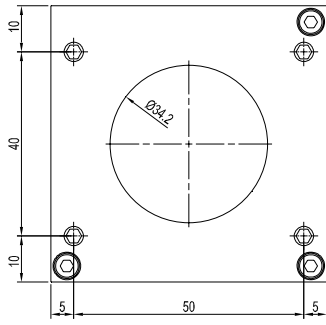
FL-34





Dimensions

Dimensions FL-34:



(All dimensions in mm)



Dimensions FL-34

e.g. with SPECTRO-3-30-DIL mounted:

