

Accessories

▶ SI-COLO-OFL-80

Top part on optics / spacer
for mounting on color sensors of type
SI-COLO4-80-DIL
SI-COLO4-80-FCL

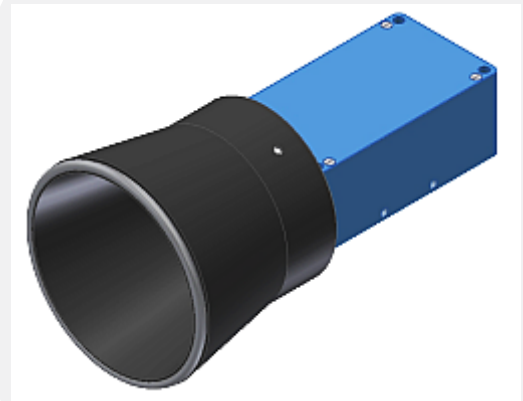
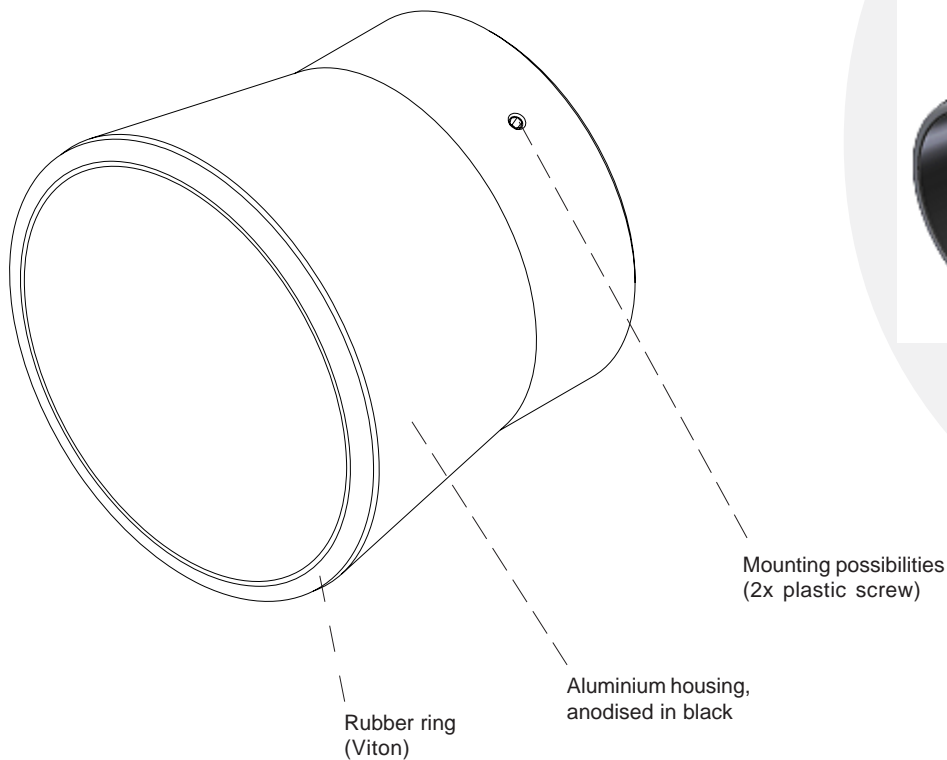
- Makes it possible to use SI-COLO4-80-... as a hand-held
- Reference distance 80 mm to measuring object by direct contact
- Sturdy housing material (aluminium, anodised in black)



Design

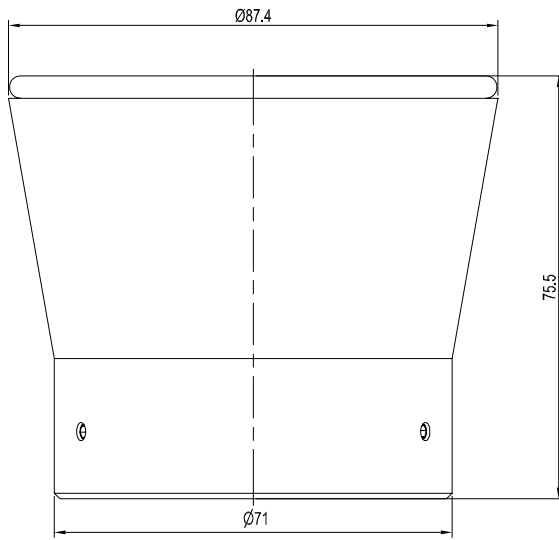
Product name:

SI-COLO-OFL-80 (top part on optics)

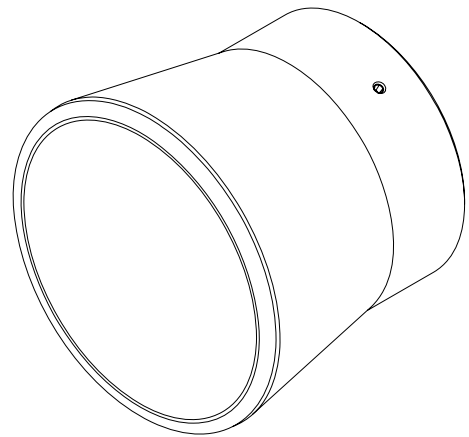
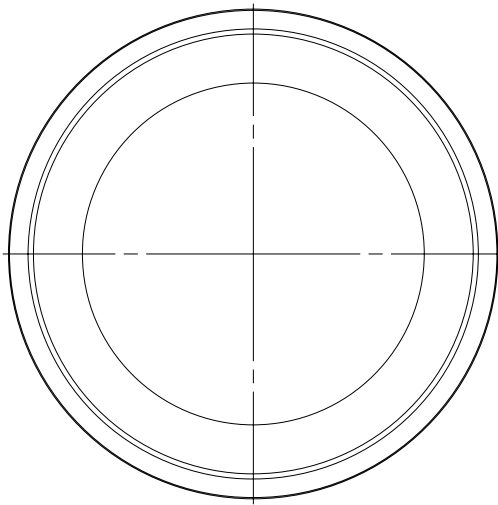




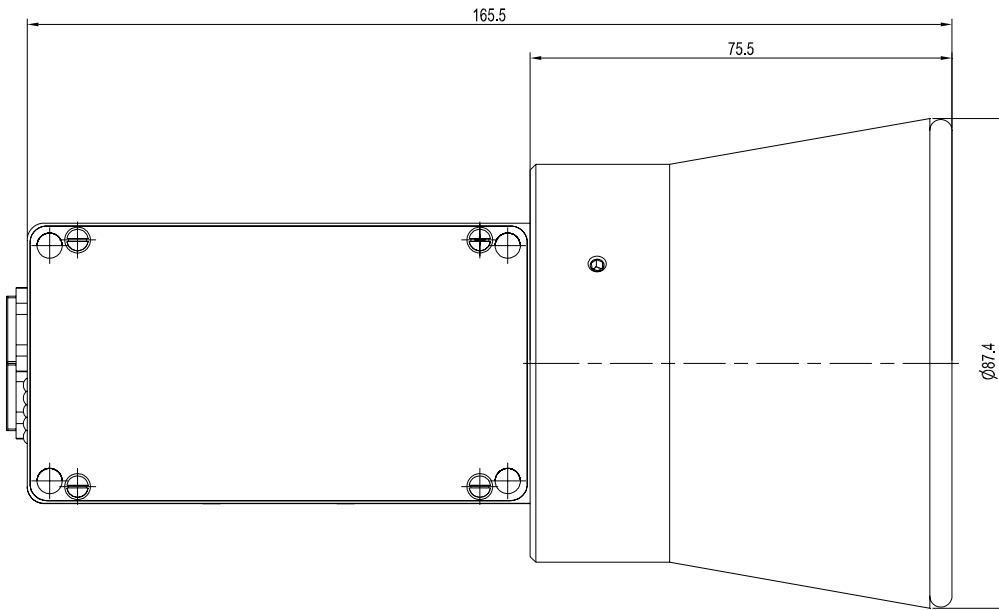
Dimensions



(All dimensions in mm)



Dimensions



(All dimensions in mm)

