

Accessories

▶ PS-24V-1,25A/30W-M8/4

Power supply

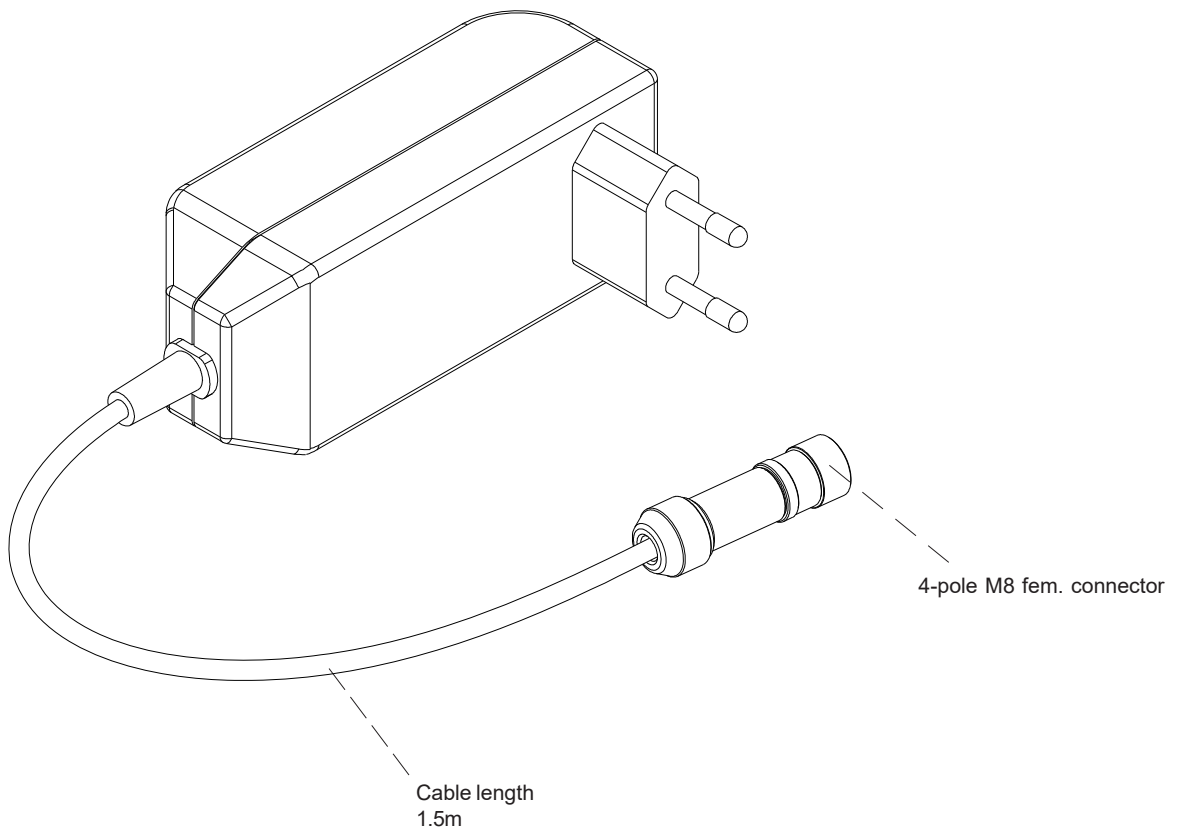
- Secondary 24VDC; current max. 1.25A; power 30W
- Power supply: 100...240Veff.; 50...60Hz; 550mA
- Secondary 4-pole M8 fem. connector
- Cable length 1.5m
- For use with **SPECTRO-3-...-SL** sensors



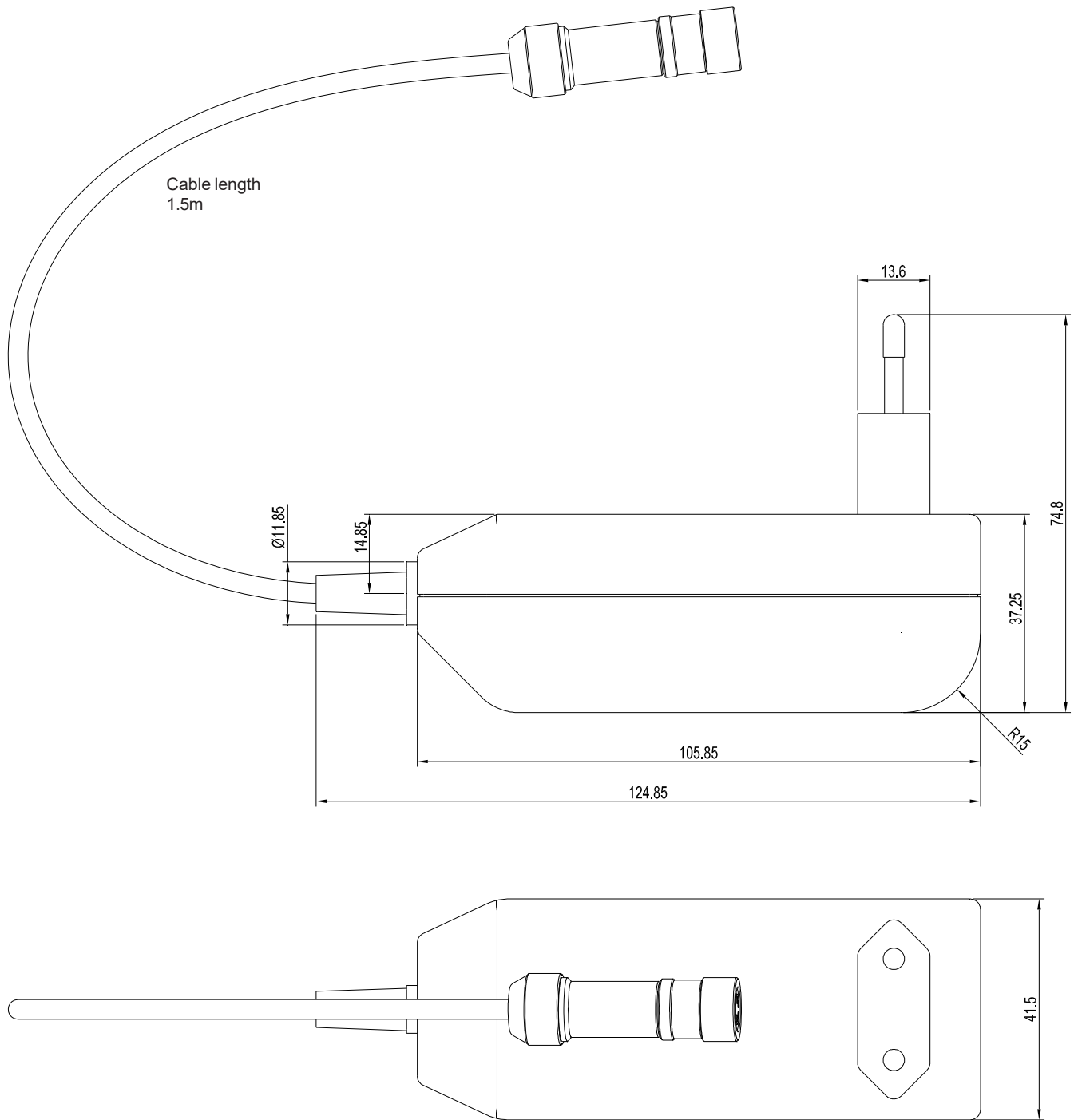
Design

Product name:

PS-24V-1,25A/30W-M8/4



Dimensions



All dimensions in mm

**Connector Assignment****4-pole M8 fem. connector**

Pin: Assignment:

1	+24VDC
2	not connected
3	GND (0V)
4	not connected

