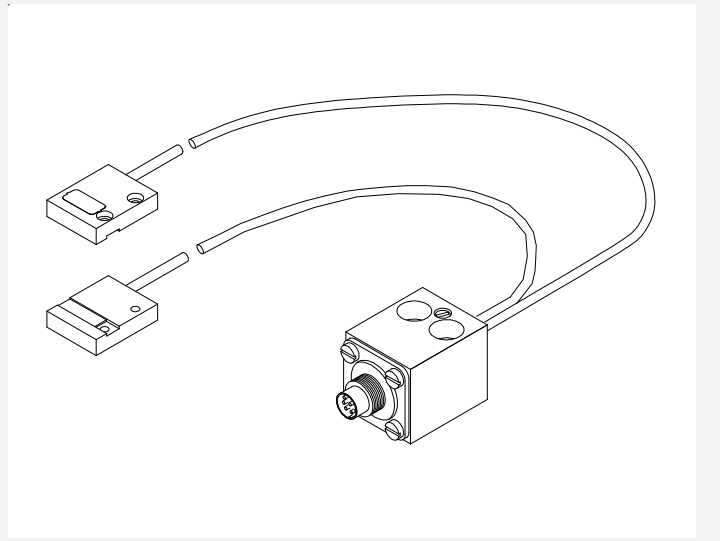


TLB Series

▶ **SLB-06-TP**

Split light barriers

- Insensitive to outside light due to optical filtering
- Connection either to constant light amplifier or pulsating light amplifier
- Oil resistant connecting cable
- High resolution
- Scratch-resistant optics cover made of glass
- Sturdy metal housing

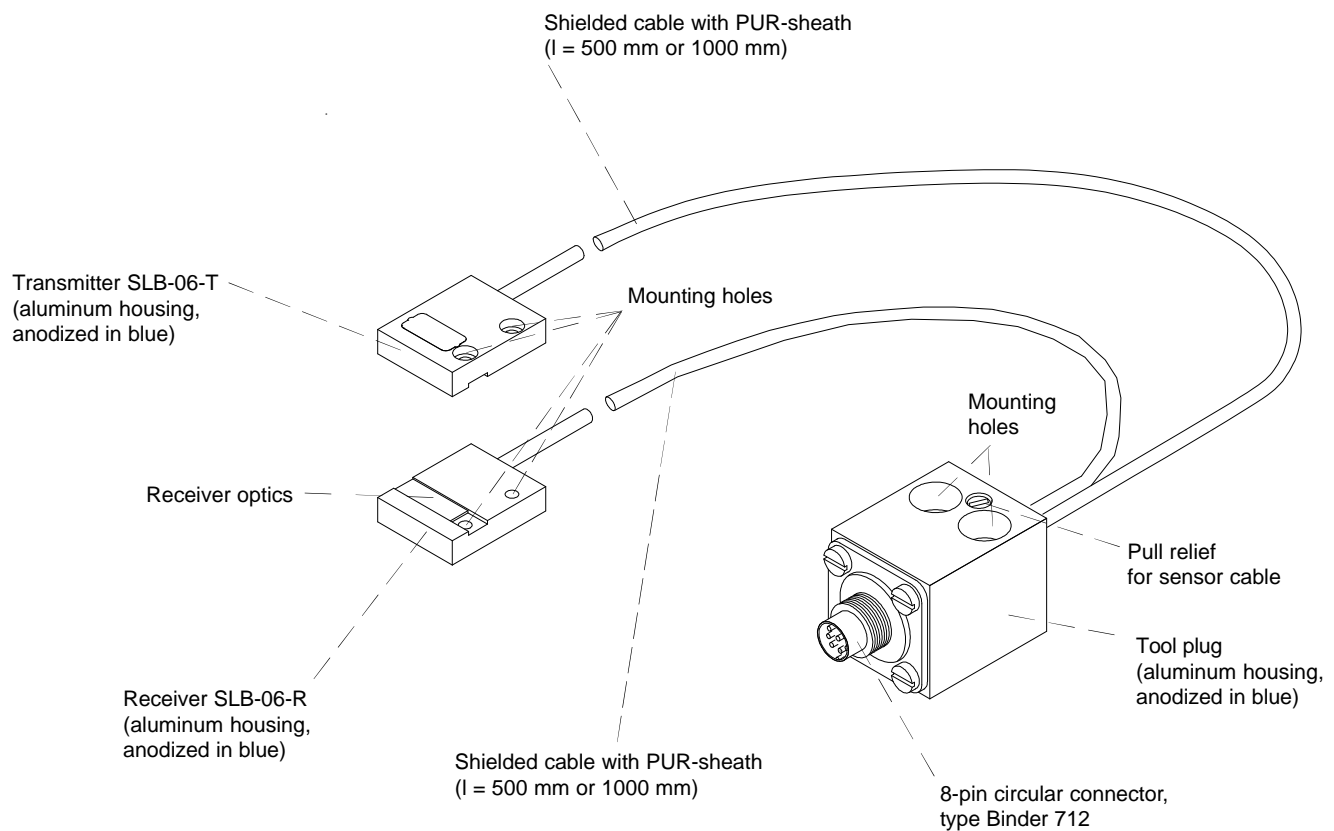


Design

Product name:

SLB-06-TP-500 (transmitter SLB-06-T, receiver SLB-06-R, tool plug with 8-pin connector, cable l=500 mm)

SLB-06-TP-1000 (transmitter SLB-06-T, receiver SLB-06-R, tool plug with 8-pin connector, cable l=1000 mm)

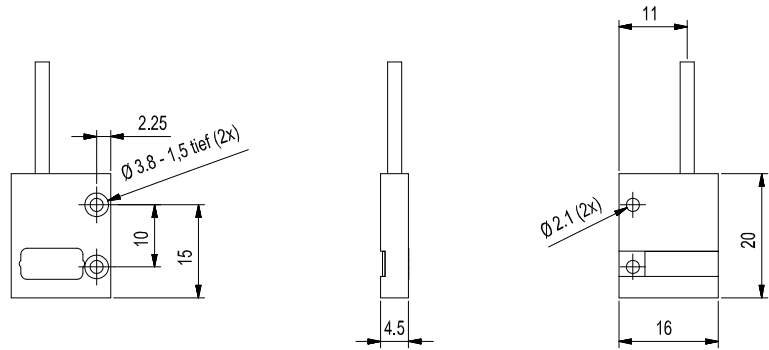



Technical Data

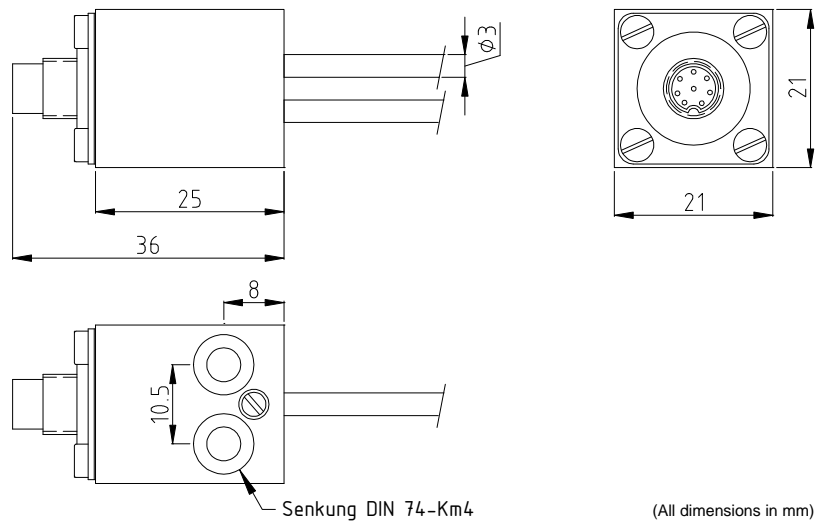
| | |
|---|--|
| Model | SLB-06-TP |
| Transmitter | IR-LED, 905 nm, DC operation: max. opt. power < 0,4 mW, AC operation: medium opt. power < 0,4 mW |
| Minimum detectable object | typ. 50 µm (DC operation) typ. 300 µm (AC operation) |
| Light spot dimension (at transmitter output) | typ. 10.5 mm x 1.5 mm |
| Repeatability | typ. 10 µm (DC operation) typ. 100 µm (AC operation) |
| Maximum range | typ. 80 mm (DC operation) typ. 400 mm (AC operation) |
| Optics | collimated, beam divergency typ. 100 mrad |
| Optical filter | Daylight rejection filter RG715 |
| Ambient light | up to 5000 Lux (AC operation) |
| Cable type | PUR sheath, black, shielded |
| Cable length | 500 mm or 1000 mm |
| Mechanical protection | IP67 |
| Connector type | Tool plug with 8-pin circular connector, type Binder 712 |
| Operating temperature range | -20°C ... +80°C |
| Storage temperature range | -20°C ... +85°C |
| Housing | Aluminum, anodized in blue |
| Housing dimensions (light barrier) | approx. length 20 mm x width 16 mm x height 4.5 mm (see page 3) |
| EMC test acc. to | IEC - 801... |

Dimensions

**SLB-06-T (transmitter) and
SLB-06-R (receiver)**



TP (tool plug)

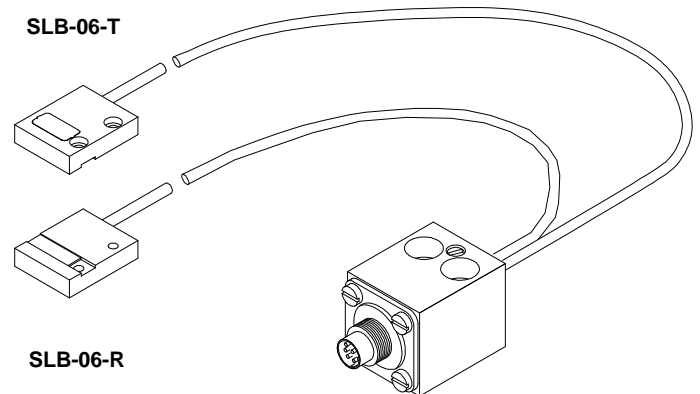
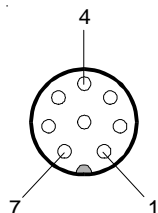


(All dimensions in mm)

Connector Assignment

Assignment 8-pin circular connector, type Binder 712:

| Pin: | Assignment: |
|--------|---------------------|
| 1 | n.c. |
| 2 | n.c. |
| 3 | Transmitter anode |
| 4 | Receiver collector |
| 5 | Transmitter cathode |
| 6 | Receiver emitter |
| 7 | n.c. |
| 8 | n.c. |
| Shield | |





Product Line

Fork light barriers:

FKB-06-...
FKB-06-...-P
FKB-06-...-TPN
FKB-06-...-TPO

FKB-06-...-BL
FKB-06-...-BL-P
FKB-06-...-BL-TPN
FKB-06-...-BL-TPO

FKB-08-...
FKB-08-...-P
FKB-08-...-TPN
FKB-08-...-TPO

FKB-08-...-BL
FKB-08-...-BL-P
FKB-08-...-BL-TPN
FKB-08-...-BL-TPO

Split light barriers:

SLB-01
SLB-01-P
SLB-01-TP

SLB-02
SLB-02-P
SLB-02-TP

SLB-03
SLB-03-P
SLB-03-TP

SLB-04
SLB-04-P
SLB-04-TPN
SLB-04-TPO

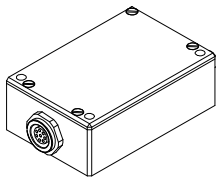
SLB-05
SLB-05-P
SLB-05-TPN
SLB-05-TPO

SLB-06
SLB-06-P
SLB-06-TP

SLB-08
SLB-08-P
SLB-08-TP

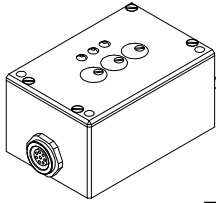
Connecting cable:
cab-tlb8/702 (2m)

Pulsating light amplifiers:



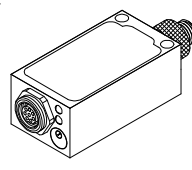
TLB-CON5

Connecting cables:
cab-M8/4-g-2 (2m)
cab-las5/PC (5m)



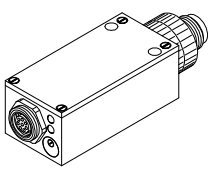
TLB-CON6

Connecting cable:
cab-las8/702-fem (2m)



TLB-CON8

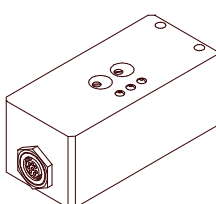
Connecting cable:
cab-M8/3-g-2 (2m)



TLB-CON12

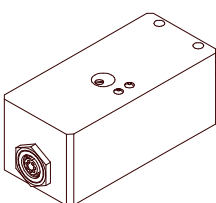
Connecting cable:
cab-M12/5-g-2-shd (2m)

Constant light amplifiers:



TLB-CON2

Connecting cable:
cab-las8/702-fem (2m)



TLB-CON11

Connecting cable:
cab-las8/702-fem (2m)