

TLB Series

▶ SLB-04-TPO Split light barriers

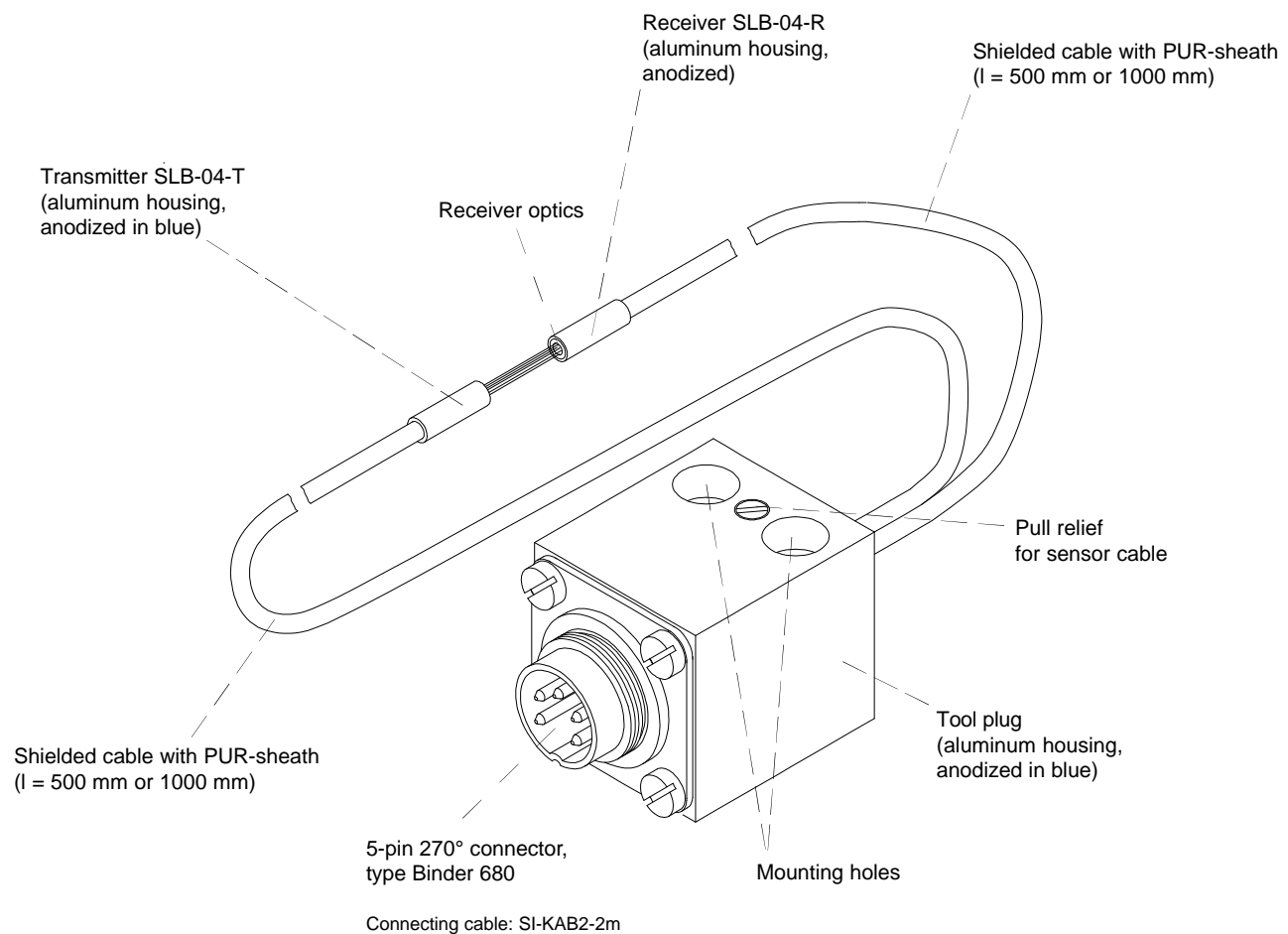
- Insensitive to outside light due to optical filtering
- Connection either to constant light amplifier or pulsating light amplifier
- Oil resistant connecting cable
- High resolution
- Scratch-resistant optics cover made of glass
- Sturdy metal housing



Design

Product name:

- SLB-04-TPO-500** (transmitter SLB-04-T, receiver SLB-04-R, tool plug with 5-pin 270° connector, cable l=500 mm)
SLB-04-TPO-1000 (transmitter SLB-04-T, receiver SLB-04-R, tool plug with 5-pin 270° connector, cable l=1000 mm)

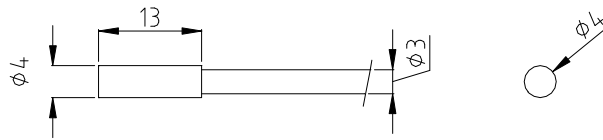



Technical Data

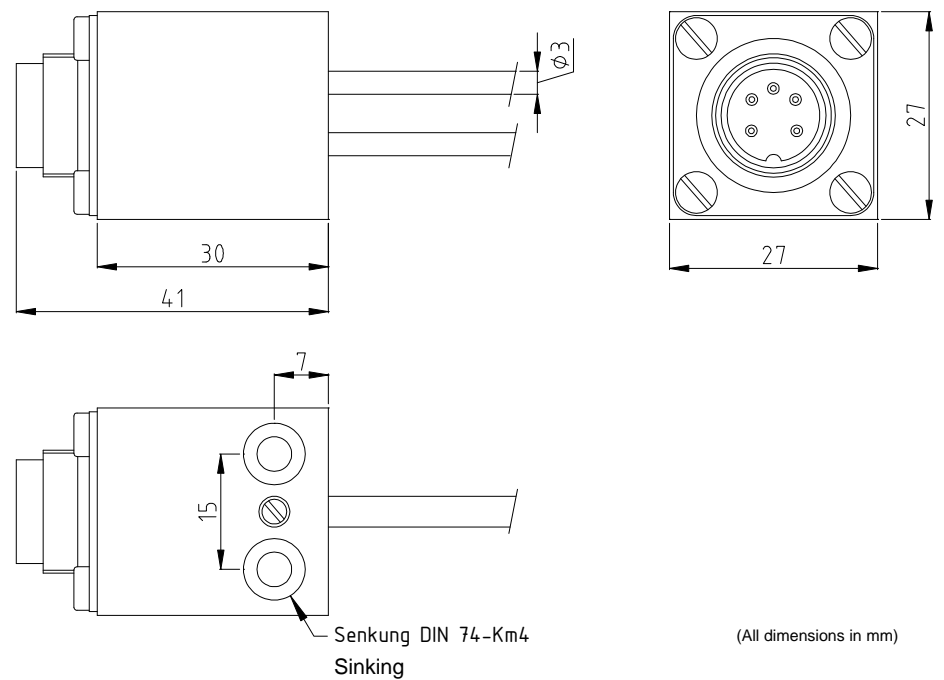
Model	SLB-04-TPO
Transmitter	IR-LED, 905 nm, DC operation: max. opt. power < 0,4 mW, AC operation: medium opt. power < 0,4 mW
Minimum detectable object	typ. 50 µm (DC operation) typ. 300 µm (AC operation)
Light spot dimension (at transmitter output)	typ. Ø 1.5 mm
Repeatability	typ. 10 µm (DC operation) typ. 100 µm (AC operation)
Maximum range	typ. 80 mm (DC operation) typ. 400 mm (AC operation)
Optics	collimated, beam divergency typ. 100 mrad
Optical filter	Daylight rejection filter RG715
Ambient light	up to 5000 Lux (AC operation)
Cable type	PUR sheath, black, shielded
Cable length	500 mm or 1000 mm
Mechanical protection	IP67
Connector type	Tool plug with 5-pin 270° connector, type Binder 680
Operating temperature range	-20°C ... +80°C
Storage temperature range	-20°C ... +85°C
Housing	Aluminum, anodized in blue
Housing dimensions (light barrier)	cylindrical shape: length 13 mm, Ø 4 mm (see page 3)
EMC test acc. to	IEC - 801...

Dimensions

SLB-04-T (transmitter) and
SLB-04-R (receiver):



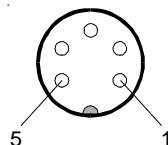
TPO (tool plug with 5-pin 270° connector):



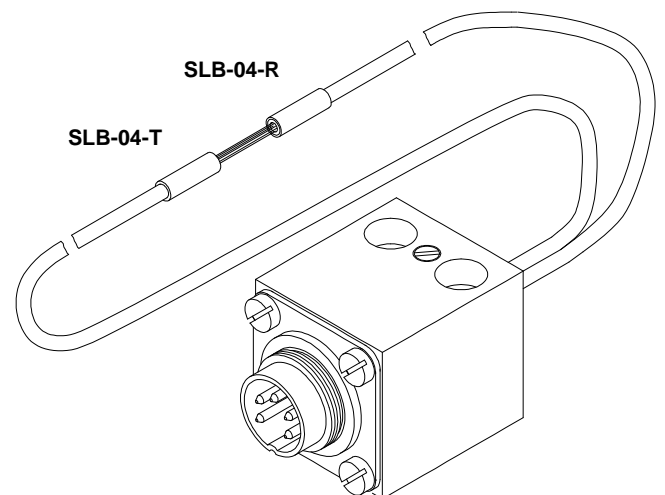
Connector Assignment

Assignment 5-pin 270° connector, type Binder 680:

Pin:	Assignment:
1	Transmitter cathode / Receiver emitter
2	n.c.
3	n.c.
4	Transmitter anode
5	Receiver collector



Connecting cable: SI-KAB2-2m
(1x 5-pole female connector Binder Series 680,
1x 5-pole connector Binder Series 680)





Product Line

Fork light barriers:

FKB-06-...
FKB-06-...-P
FKB-06-...-TPN
FKB-06-...-TPO

FKB-06-...-BL
FKB-06-...-BL-P
FKB-06-...-BL-TPN
FKB-06-...-BL-TPO

FKB-08-...
FKB-08-...-P
FKB-08-...-TPN
FKB-08-...-TPO

FKB-08-...-BL
FKB-08-...-BL-P
FKB-08-...-BL-TPN
FKB-08-...-BL-TPO

Split light barriers:

SLB-01
SLB-01-P
SLB-01-TP

SLB-02
SLB-02-P
SLB-02-TP

SLB-03
SLB-03-P
SLB-03-TP

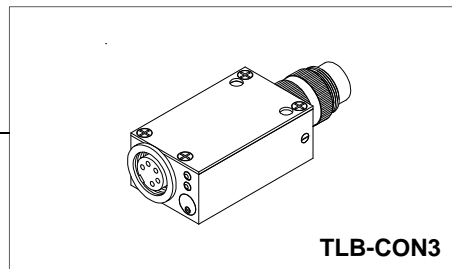
SLB-04
SLB-04-P
SLB-04-TPN
SLB-04-TPO

SLB-05
SLB-05-P
SLB-05-TPN
SLB-05-TPO

SLB-06
SLB-06-P
SLB-06-TP

SLB-08
SLB-08-P
SLB-08-TP

Pulsating light amplifier:



Connecting cable:
SI-KAB2 (2m)

Connecting cable:
SI-KAB2 (2m)