

# TLB Serie

## ▶ TLB-CON4/1 Constant light amplifier

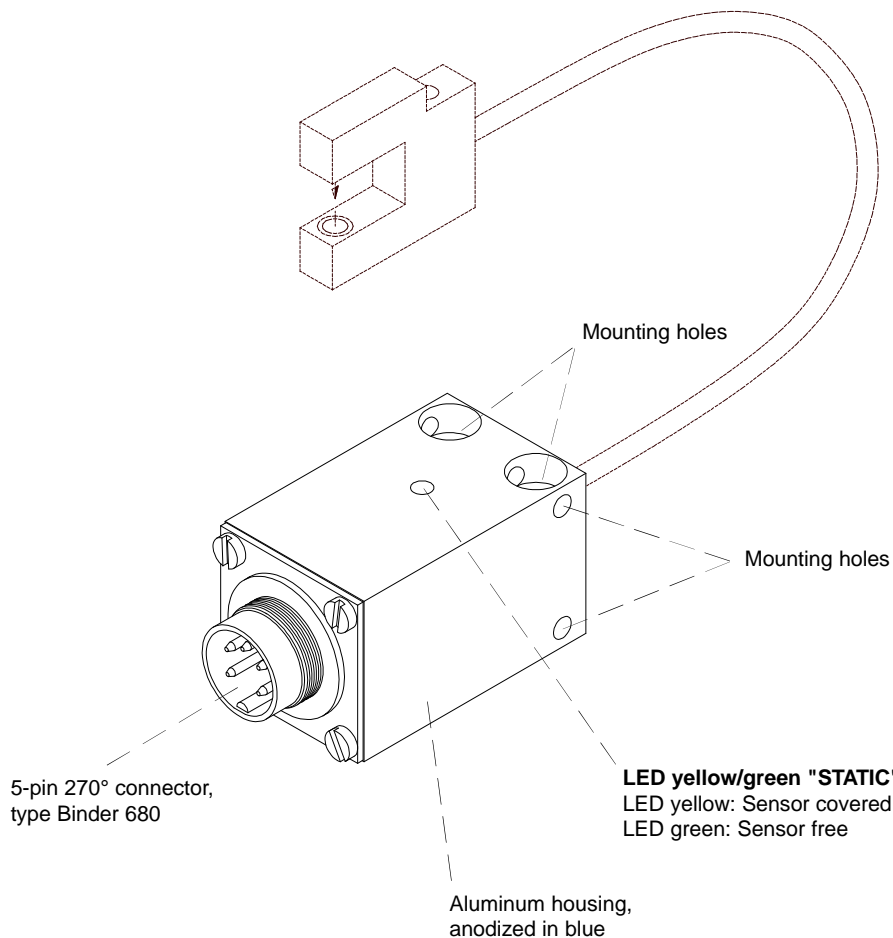
- Bright- and dark-switching
- Outputs short-circuit protected
- High switching frequency (typ. 10 kHz)
- Switching state indication by means of a yellow/green LED
- Push-pull output stage (appropriate for npn and pnp)
- Sturdy aluminum housing



### Design

**Product name:**

TLB-CON4/1

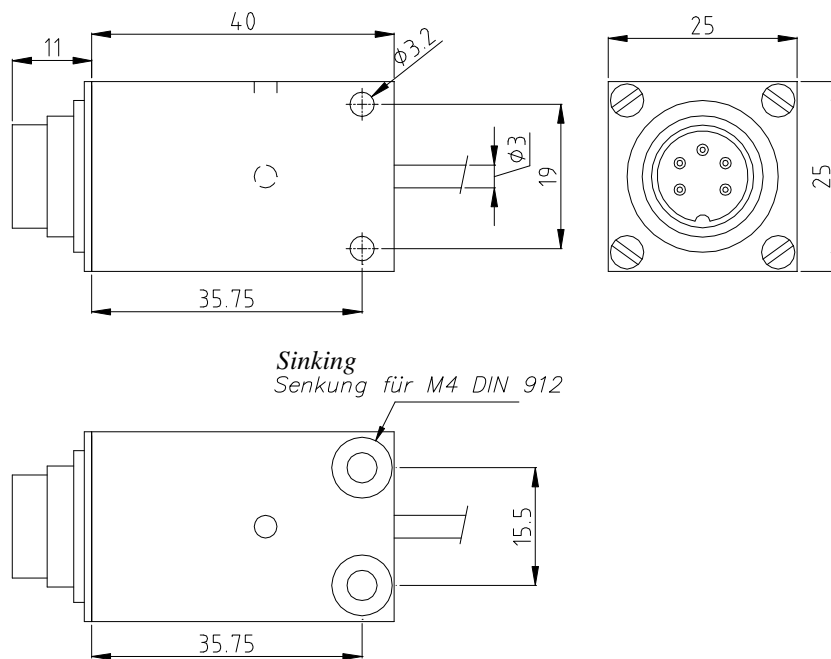


for use with fork light barriers of TLB Series (cf. page 4):  
 FKB-06-...  
 FKB-06-...-BL  
 FKB-08  
 FKB-08-...-BL


**Technical Data**

<b>Model</b>	<b>TLB-CON4/1</b>
Voltage supply	+12VDC ... +32VDC, reversed polarity protection, overload protection
Sensitivity	adjustable by means of an integrated 10-step potentiometer
Current consumption	typ. 50 mA
EMC test acc. to	IEC - 801...
Connector type	5-pin 270° connector, type Binder 680
Operating temperature range	-20°C ... +70°C
Storage temperature range	-20°C ... +85°C
Housing	Aluminum, anodized in blue
Max. switching current	100 mA, short-circuit protection
Switching frequency	typ. 10 kHz
Outputs	Q = npn dark-switching (npn normally open) / pnp bright-switching (pnp normally closed) Qinv = npn bright-switching (npn normally closed) / pnp dark-switching (pnp normally open)
Switching state display	by means of yellow/green LED
Mechanical protection	IP64

Dimensions

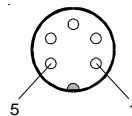


(All dimensions in mm)

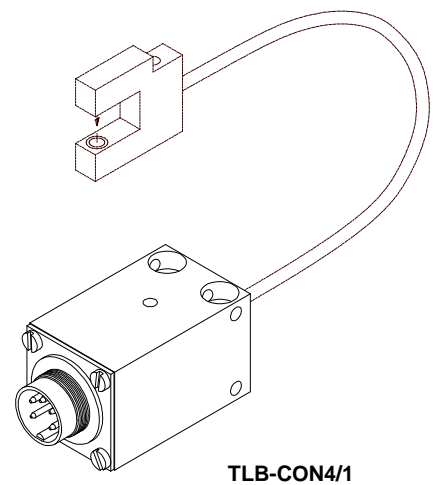
Connector Assignment

Assignment 5-pin connector, type Binder 680

Pin-No.:	(Color)	Assignment:
1	(blu)	GND (0V)
2	(brn)	+Ub (+12VDC ... +32VDC)
3	(wht)	Output Q
4	(blk)	Output Qinv
5	(red)	Connection control



Connecting cable: cab-agl5 (l=2m)

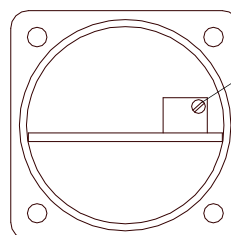


TLB-CON4/1

Setting

Procedure for the adjustment of potentiometer and jumper:

- Unscrew the 4 slotted screws
- Unscrew the 2 plastic screws (pull relief of the two cables)
- Carefully pull the electronic unit out of the aluminum housing
- Carry out settings of potentiometers and of jumper

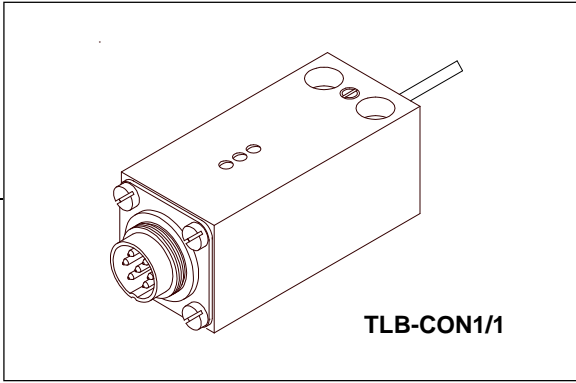


**Potentiometer for adjustment of gain**  
Increase of analog signal:  
Rotation counter-clockwise  
(10-step potentiometer)

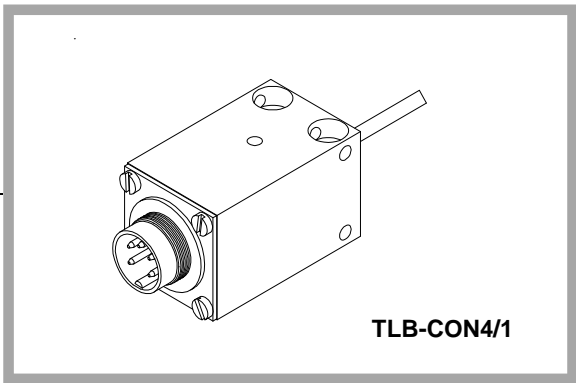
Product Line

Constant light amplifiers in tool connector housing:

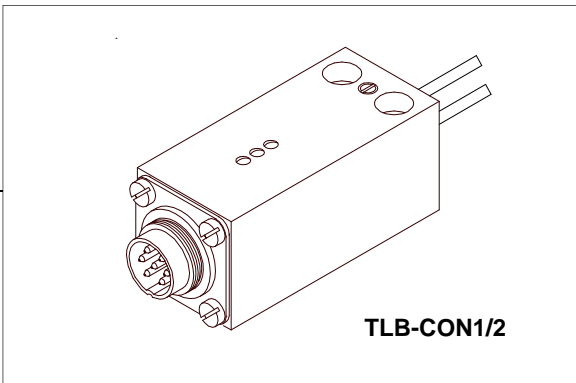
Connecting cable:  
cab-las-agl7 (2m)



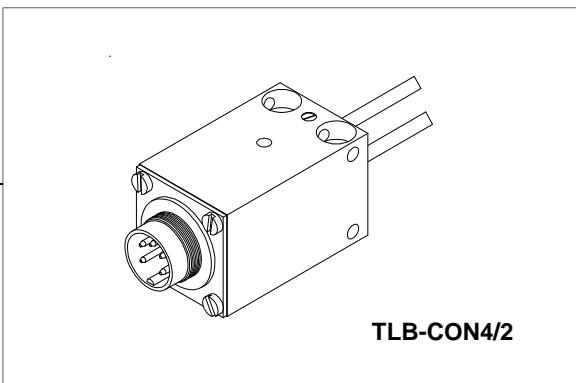
Connecting cable:  
cab-agl5 (2m)



Connecting cable:  
cab-las-agl7 (2m)

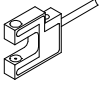


Connecting cable:  
cab-agl5 (2m)

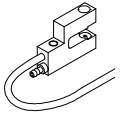


Fork light barriers:

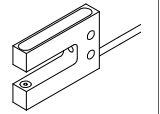
FKB-06-...



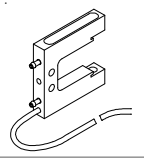
FKB-06-...-BL



FKB-08-...

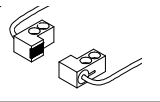


FKB-08-...-BL

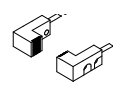


Split light barriers:

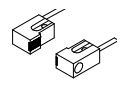
SLB-01



SLB-02



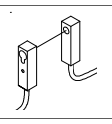
SLB-03



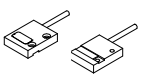
SLB-04



SLB-05



SLB-06



SLB-08

