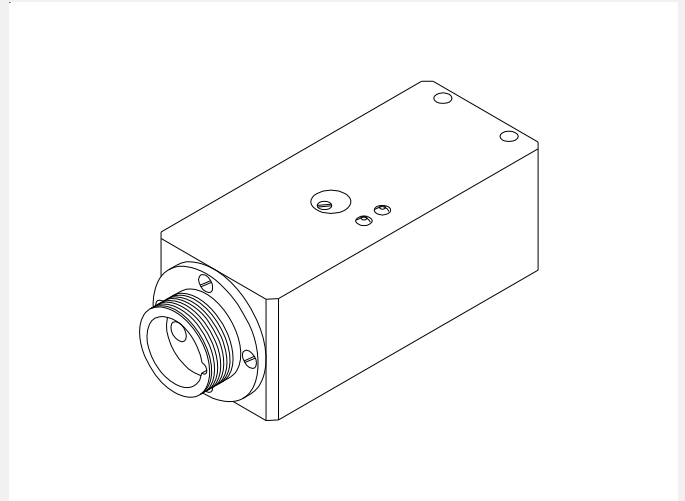


TLB Series

▶ TLB-CON11-...-FIO Constant light amplifier

- Voltage output (0V ... +10V)
- Current output to select from:
 TLB-CON11-0/20: 0 ... 20 mA
 TLB-CON11-4/20: 4 ... 20 mA
 TLB-CON11-5/25: 5 ... 25 mA
- Gain adjustable by means of potentiometer
- High band width of analog signal: typ. 200 kHz (-3dB)
- Sturdy aluminum housing
- Fiber optics connector (for connection of fiber optics of FIO Series)

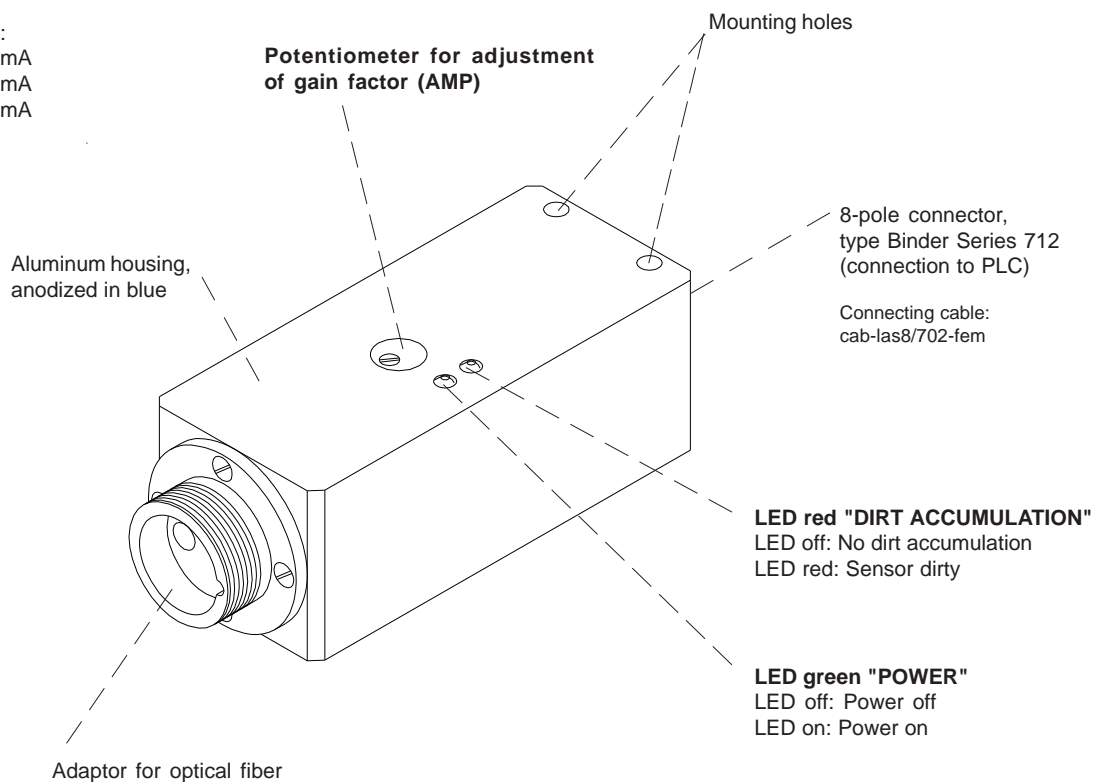


Design

Product name:

- TLB-CON11-0/20-FIO
- TLB-CON11-4/20-FIO
- TLB-CON11-5/25-FIO


Current output:
 0/20 = 0 ... 20 mA
 4/20 = 4 ... 20 mA
 5/25 = 5 ... 25 mA



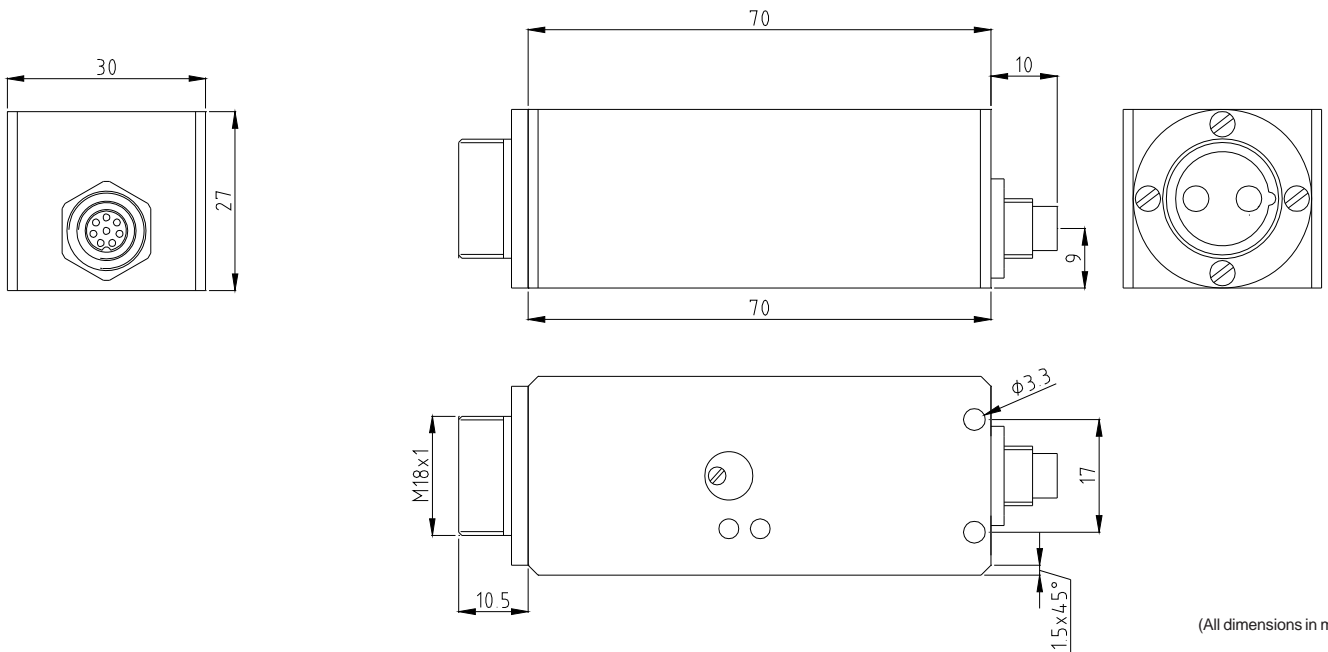
**Please order optical fibers separately
 (cf. catalog FIO Series)**



Technical Data

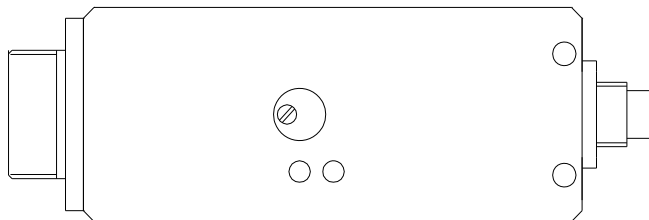
Model	TLB-CON11-FIO
Voltage supply	+12VDC ... +32VDC (Ripple 10% max.)
Current consumption	With TLB light barrier: typ. 50 mA
Operating temperature range	-20°C ... +60°C
Storage temperature range	-20°C ... +85°C
Housing	Aluminum, anodized in blue
Housing dimensions	cf. page 3
Mechanical protection	IP64
Output ANALOG	Voltage output: 0V ... +10V (adjustable via potentiometer for gain) Current output: 0mA ... 20mA --> TLB-CON11-0/20-FIO Current output: 4mA ... 20mA --> TLB-CON11-4/20-FIO Current output: 5mA ... 25mA --> TLB-CON11-5/25-FIO
Potentiometer for adjustment of gain	3-revolutions potentiometer
Dirt accumulation indication	LED red
Operation indication	LED green
Connector type	Connection to PLC: 8-pole circular connector, type Binder 712 (= cab-las8/702-fem, l=2m) Connection to fiber optics via adaptor
Band width analog signal	Typ. 200 kHz (-3dB)
EMC test acc. to	DIN EN 60947-5-2 

Dimensions



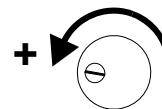
(All dimensions in mm)

Setting



Potentiometer for adjustment of gain factor (AMP)

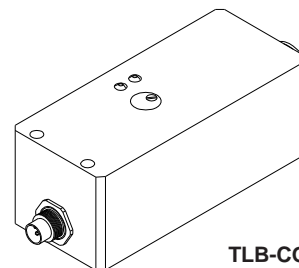
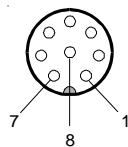
Rotation counter-clockwise:
Increase of analog signal
(3-revolutions potentiometer)



Connector Assignment

8-pin connector, type Binder 712 (connection to PLC):

Pin-No.:	(Color)	Assignment:
1	(wht)	GND (0V)
2	(brn)	+Ub (+12VDC ... +30VDC)
3	(grn)	ANALOG voltage (0V ... 10V)
4	(yel)	n.c.
5	(gry)	n.c.
6	(pnk)	n.c.
7	(blu)	n.c.
8	(red)	ANALOG current (0...20mA, 4...20mA, 5...25mA)



TLB-CON11-FIO

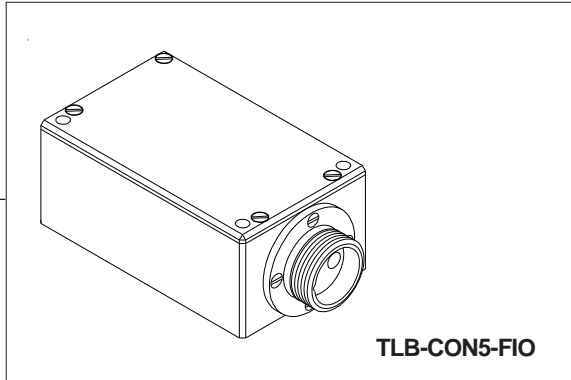
Connecting cable: cab-las8/702-fem (l=2m)



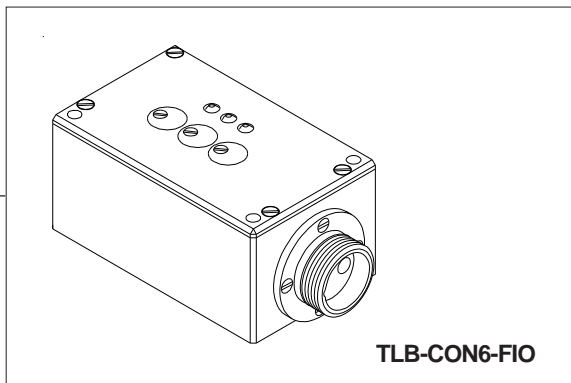
Product Line

Pulsating light amplifiers:

Connecting cables:
cab-M8/4-g-2 (2m)
cab-las5/PC (2m)

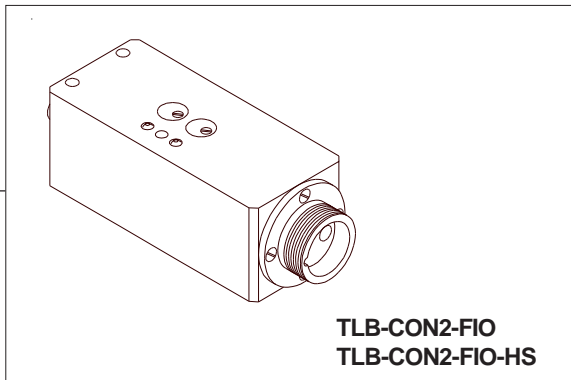


Connecting cable:
cab-las8/702-fem (2m)

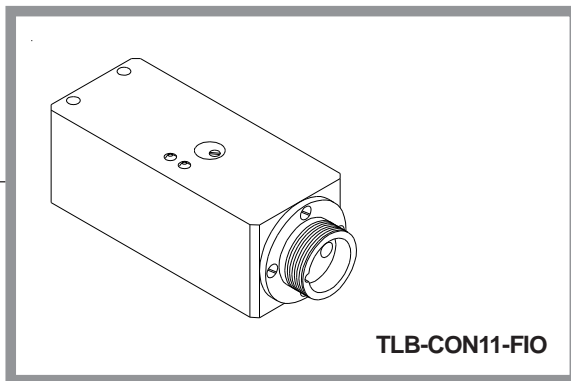


Constant light amplifiers:

Connecting cable:
cab-las8/702-fem (2m)



Connecting cable:
cab-las8/702-fem (2m)



FIO Series
(Fiber optics and
optical frontends)