

FIO Series

▶ KL-D-45°-26-A3.0

Optical frontend

- Optical frontend for transmitted light fiber optics with sensor head type A3.0: D-S-A3.0-(3.0)-(length)-67° or for two reflected light fiber optics with sensor head type A3.0: R-S-A3.0-(3.0)-(length)-67° + R-S-A3.0-(3.0)-(length)-67°-(1P+1BP) (fiber optics available in various lengths)
- Color control of high-gloss surfaces
- Working distance: typ. 5 mm ... 20 mm
- Scratch-resistant optics cover made of glass
- Sturdy aluminum housing, anodized in black



Design

Product name:

KL-D-45°-26-A3.0

Suitable for fiber optics type (please order separately):

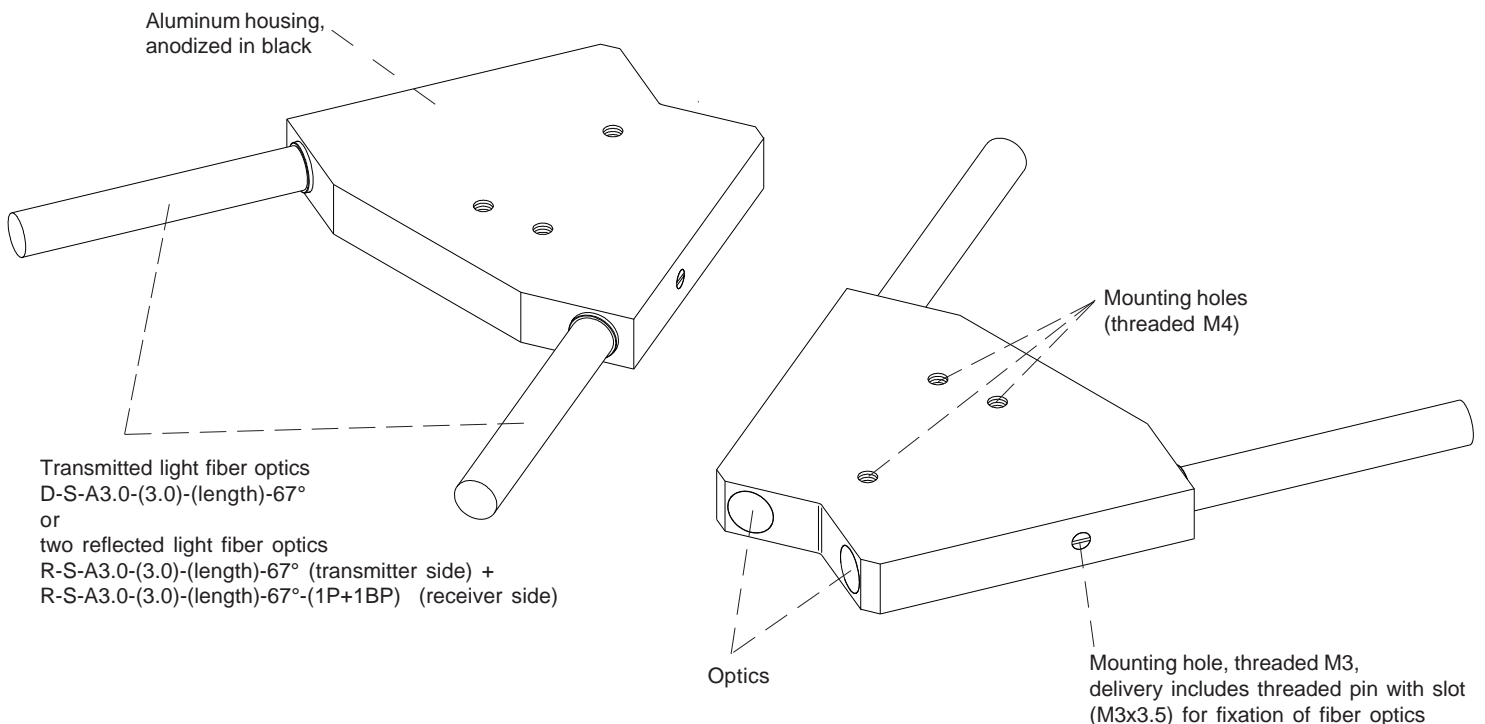
Transmitted light fiber optics

D-S-A3.0-(3.0)-(length)-67°

or

Reflected light fiber optics

R-S-A3.0-(3.0)-(length)-67° (transmitter) + R-S-A3.0-(3.0)-(length)-67°-(1P+1BP) (receiver)
(standard lengths for fiber optics: 600 mm or 1200 mm)

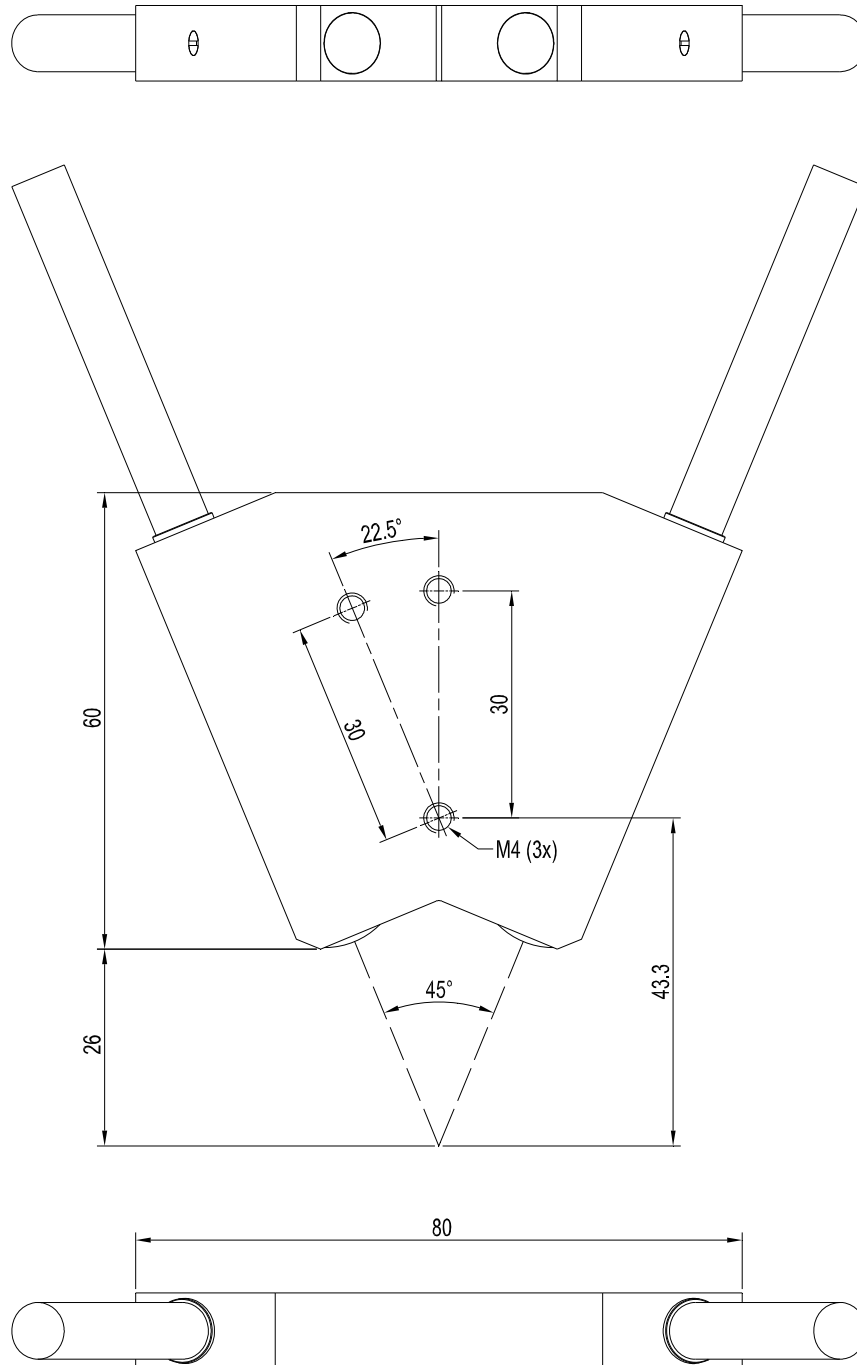




Dimensions

KL-D-45°-26-A3.0

Mounting type:
Optics is mounted angle bisecting: Working distance 26 mm



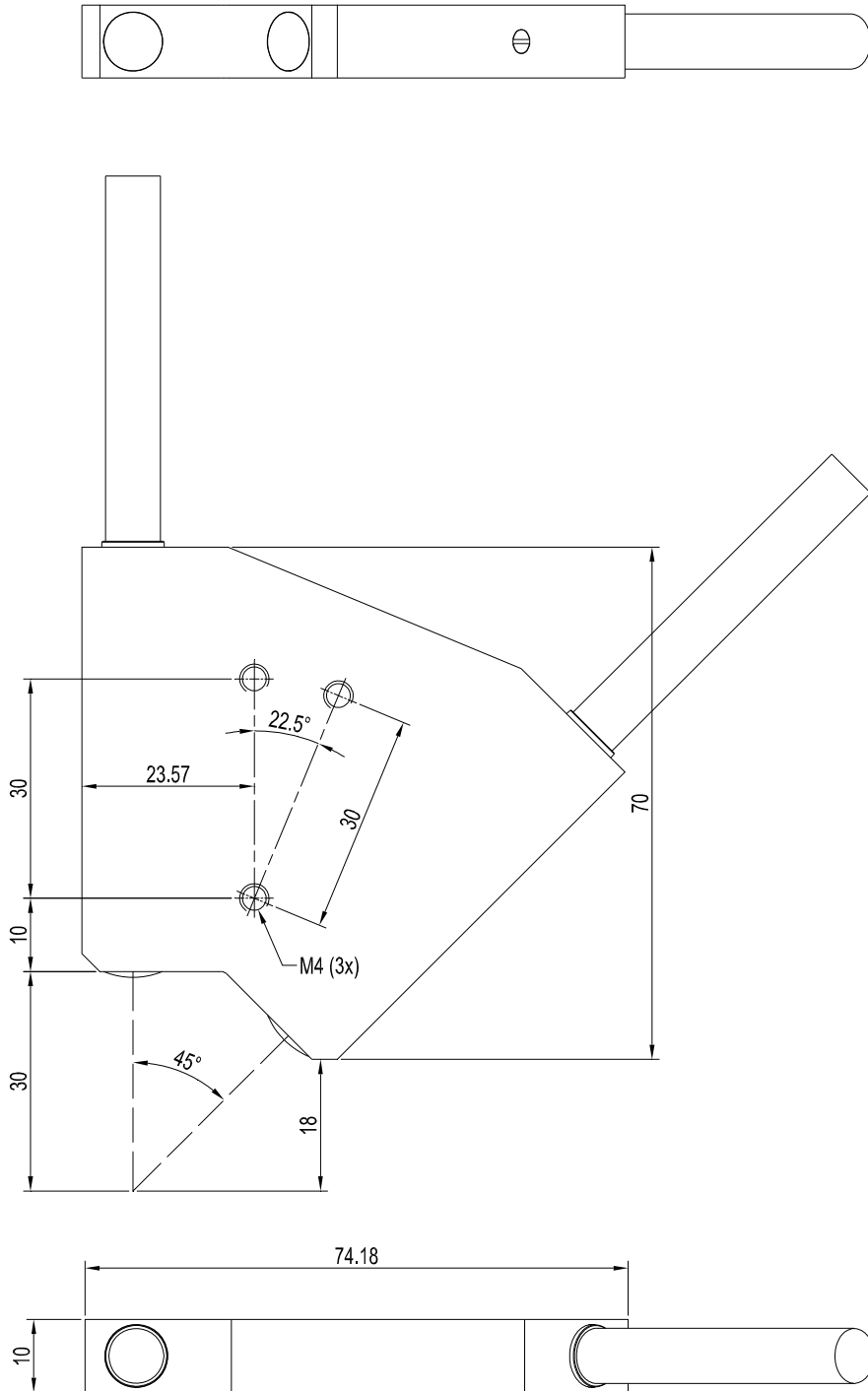
All dimensions in mm



Dimensions

KL-D-45°-26-A3.0

Mounting type:
One optics side is mounted vertically: Working distance 30 mm



All dimensions in mm