

FIO Series (Accessories)

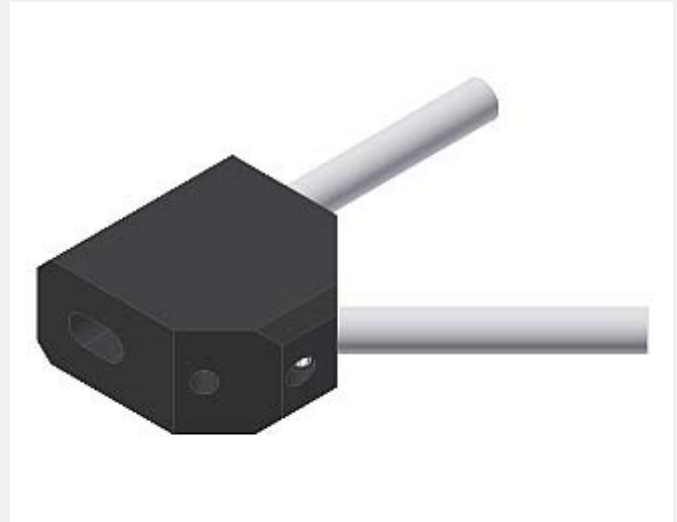
▶ MOUNT-A3.0-45°-0

Optical fiber holder for reflected light fiber optics

R-S-A3.0-(3.0)-...-(1P+1BP) + R-S-A3.0-(3.0)-...

The optical fiber holder type MOUNT-A3.0-45°-0 is used in connection with optical fibers type R-S-A3.0-(3.0)-...-(1P+1BP) as well as R-S-A3.0-(3.0)-... and the color measurement sensor type SPECTRO-3-FIO-MSM-ANA-VIS. With the frontend a 45°/0° as well as a 0°/45° color measurement method can be realized. At this, the frontend is in touch with the test object.

- Fixation of the fiber optics by means of plastic screws
- Sturdy housing material (aluminum, anodized)
- Housing dimensions (LxWxH) approx. 40mm x 42mm x 20mm

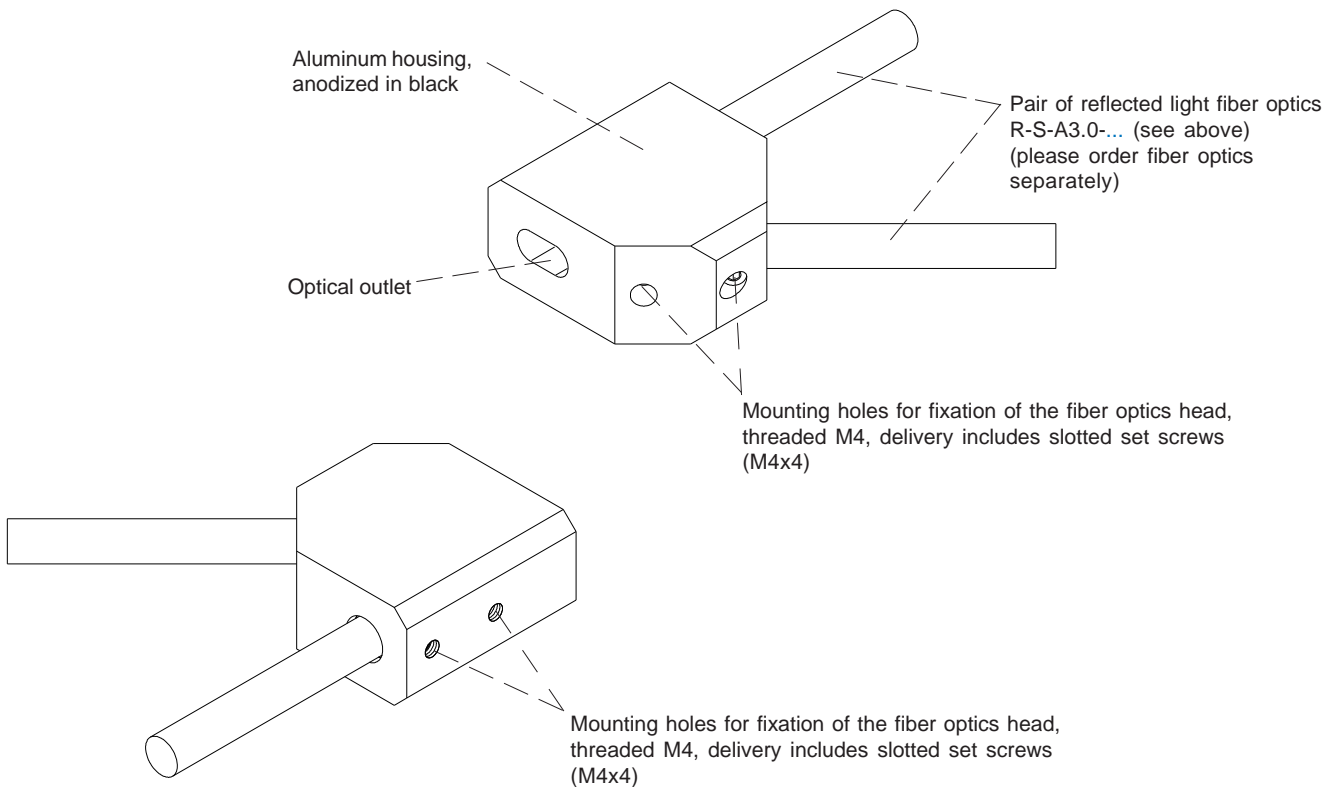


Design

Product name:

MOUNT-A3.0-45°-0

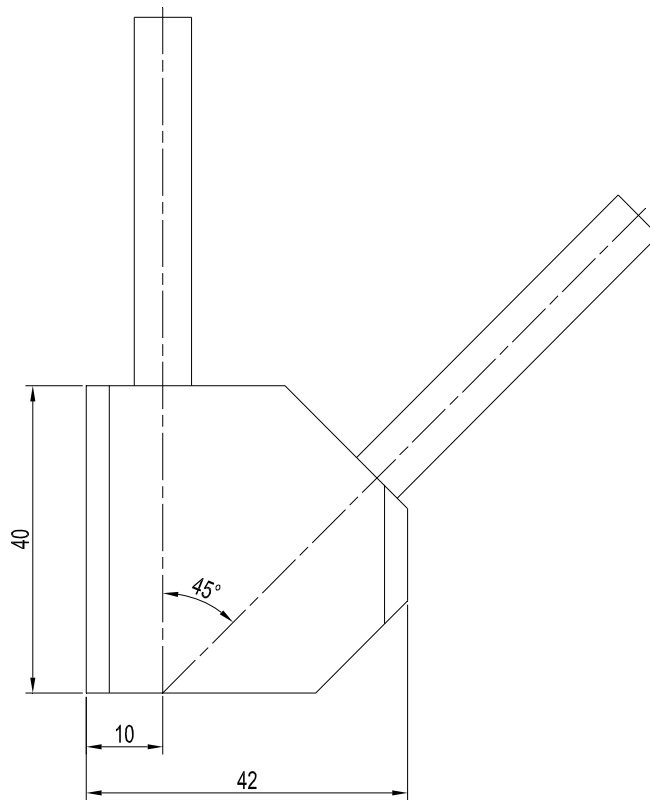
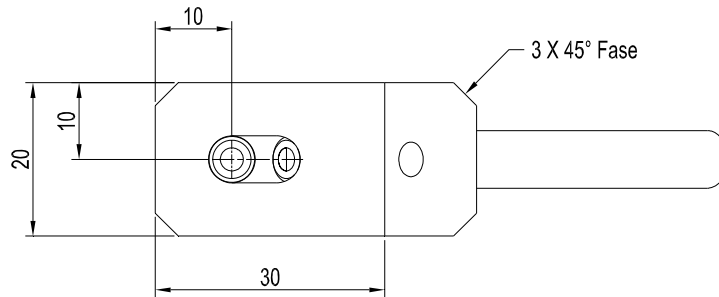
suitable for a pair of reflected light fiber optics in the following combination:
 R-S-A3.0-(3.0)-(length)-67°-(1P+1BP) + R-S-A3.0-(3.0)-(length)-67°
 (standard length 600 mm or 1200 mm)





Dimensions

MOUNT-A3.0-45°-0



All dimensions in mm