

POF Series

► KL-M18/20-SPX

Optical frontend

- Suitable for through-beam fiber optics
POF-SPX2-d2.2-(1.0)-(length)
(fiber optics are available in various lengths)
- Big working distance: typ. 100 mm ... 3000 mm
- Also suitable for detection of highly absorbent objects
(e.g. black painted parts)
- Minimal color change at a change in the distance
- Focusable
- Scratch resistant glass optics
- Sturdy aluminum housing, anodized in black



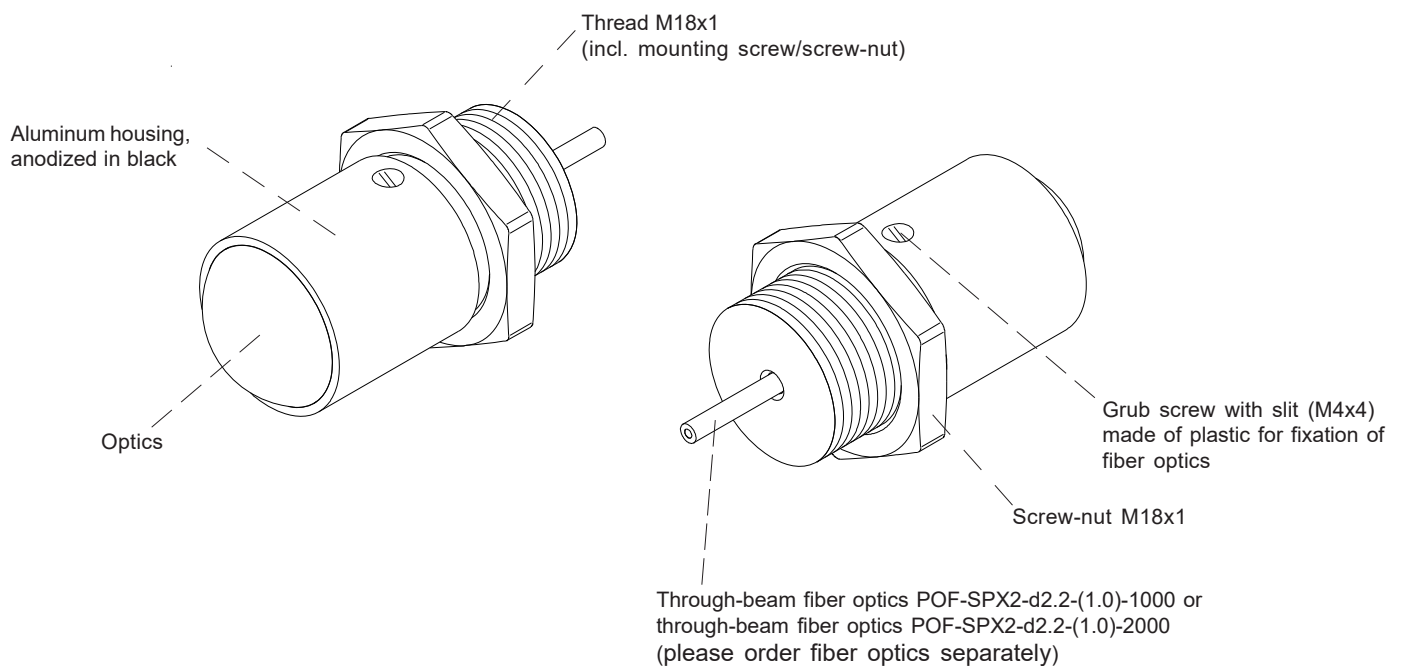
Design

Product name:

KL-M18/20-SPX

Suitable for the following plastic optical fibers of POF Series:
Through-beam fiber optics POF-SPX2-d2.2-(1.0)-(length)
(standard length: 1000 mm or 2000 mm)

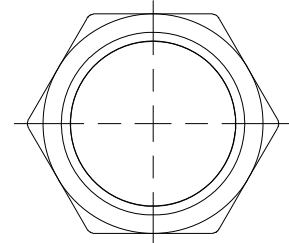
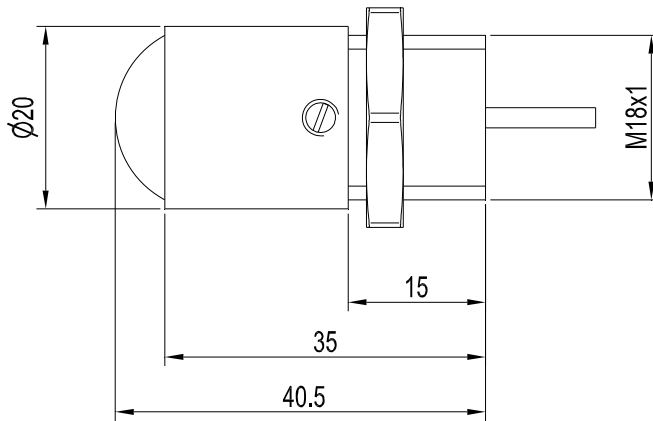
For operation with a through-beam fiber optics POF-SPX2-d2.2-(1.0)-(length) **2pcs. of KL-M18/20-SPX** are necessary!





Dimensions

KL-M18-XL/20-SPX



All dimensions in mm